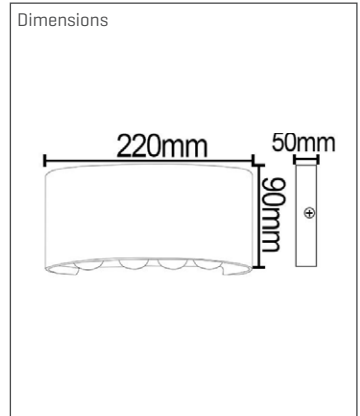


CROWN | Wall Lights

CROWN

- Decorative wall light
- Material: aluminum alloy
- Housing: white / black
- Power: 8 x 1 W power LED
- Volt: AC85-265V 50 / 60HZ
- Beam angle: 120 ° upwards and downwards
- IP65
- Lumens: 100 ~ 110 lm / W Ra> 80
- Dimensions: 220 x 90 x 50 mm
- Color temperature: WW / NW / W



Product number	System performance typ. [W]	Light color	Beam characteristic	Luminous flux [lm]	CRI	Control
805546-white	■	◆	▲	100 ~ 110/W Ra>80	►	●
805568-black	8 x 1 W Power LED	*WW / NW / W	120 ° upwards and below IP65			-

Article Number | Explanation

Example: HL-■S-HT●-02◆▲C►

- HL Series
- System performance typ. [W]
- ◆ Light color
- ▲ Beam characteristic
- Control
- CRI
- * Dimensions [mm]
- × Equipment

For example: HL

HL Series, D=dimmable, 80/100 Watt, 5000K, A2=120°, 60=60°, TA=60°x90°, 8=CRI>80

TRS-STAR GmbH

Werner-von-Siemens-Str. 1
76297 Stutensee

Development, Planning
and Technical Sales
Dipl. Ing. Frank Werz
T +49 6233 347-125
werz@trs-star.com