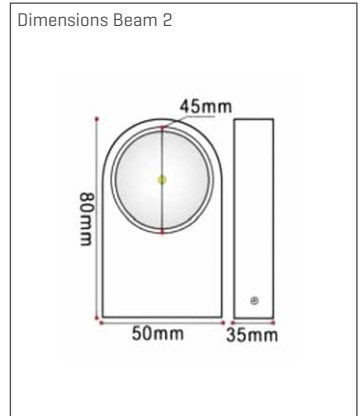


BEAM | Wall Lights

BEAM 2 / 4

- Decorative wall light
- Material: aluminum alloy
- Case: silver / black
- Power: 2 x 2 W Power LED
- AC85-265V 50 / 60HZ
- Beam angle: 180 °
- IP44
- Lumens: 70 ~ 80 lm / W Ra> 80
- Dimensions [R]: 50 x 35 x 80 mm
- Color: WW / R / G / B / Y / P



Product number	System performance typ. [W]	Light color	Beam characteristic	Luminous flux [lm]	CRI	Control
	■	◆	▲		►	●
805544-silver	2 x 1 W Power LED	*WW / R / G / B / Y / P	180°, IP44	70 ~ 80/W Ra>80	Ra>80	-
805566-black						
805545-silver	2 x 2 W Power LED					
805567-black						

Article Number | Explanation

Example: HL-■S-HT●-02◆▲C►

- HL Series
- System performance typ. [W]
- ◆ Light color
- ▲ Beam characteristic
- Control
- CRI
- * Dimensions [mm]
- × Equipment

For example: HL

HL Series, D=dimmable, 80/100 Watt, 5000K, A2=120°, 60=60°, TA=60°x90°, 8=CRI>80

TRS-STAR GmbH

Werner-von-Siemens-Str. 1
76297 Stutensee

Development, Planning
and Technical Sales
Dipl. Ing. Frank Werz
T +49 6233 347-125
werz@trs-star.com