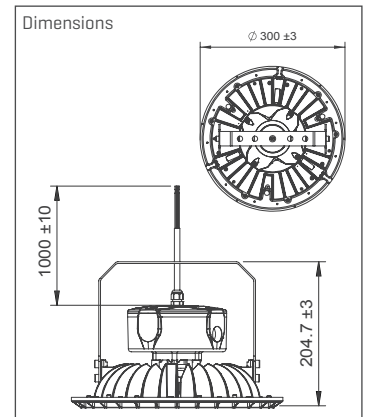




## HBLA | Area Light

### HBLA-150W Lite Version

- Solid die-cast aluminum housing
- UV rated powder paint coating
- Precision optical distribution
- System efficiency up to 132 lm/W [Ra > 80]
- IP65 rated for outdoor and indoor applications



Product number	System performance typ. [W]	Light color	Beam characteristic	Luminous flux [lm]	CRI	Control
	■	◆	▲		◐	●
HBLA-■S-HT-T6◆▲C◐	150/180/200	WD=5000K WN=4000K	A2=120° / 60=60°	21900-29200	8=CRI>80	without

### Article Number | Explanation

Example: HL-■S-HT●-02◆▲C◐

- HL Series
- System performance typ. [W]
- ◆ Light color
- ▲ Beam characteristic
- Control
- ◐ CRI
- \* Dimensions [mm]
- x Equipment

For example: HL

HL Series, D=dimmable, 80/100 Watt, 5000K, A2=120°, 60=60°, TA=60°x90°, 8=CRI>80

### TRS-STAR GmbH

Werner-von-Siemens-Str. 1  
76297 Stutensee

Development, Planning  
and Technical Sales  
Dipl. Ing. Frank Werz  
T +49 6233 347-125  
[werz@trs-star.com](mailto:werz@trs-star.com)