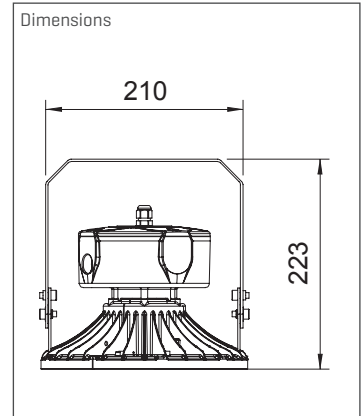




HBL | Area Light

HBL-100W / 80W

- Solid die-cast aluminum housing
- Perfect resistant coating
- Light weight design, easy to handle
- Rotatable bracket made of stainless steel
- Precision optical distribution
- System efficiency up to 148 lm/W [Ra > 80]
- Dimmable 1-10V optional



Product number	System performance typ. [W]	Light color	Beam characteristic	Luminous flux [lm]	CRI	Control
HBL-■S-HT-T6◆▲C▷	150/180/200	WD=5000K WN=4000K	A2=120° / 60=60°	21900-29200	8=CRI>80	without

Article Number | Explanation

Example: HL-■S-HT●-02◆▲C▷

- HL Series
- System performance typ. [W]
- ◆ Light color
- ▲ Beam characteristic
- Control
- ▷ CRI
- * Dimensions [mm]
- × Equipment

For example: HL

HL Series, D=dimmmable, 80/100 Watt, 5000K, A2=120°, 60=60°, TA=60°x90°, 8=CRI>80

TRS-STAR GmbH

Werner-von-Siemens-Str. 1
76297 Stutensee

Development, Planning
and Technical Sales
Dipl. Ing. Frank Werz
T +49 6233 347-125
werz@trs-star.com