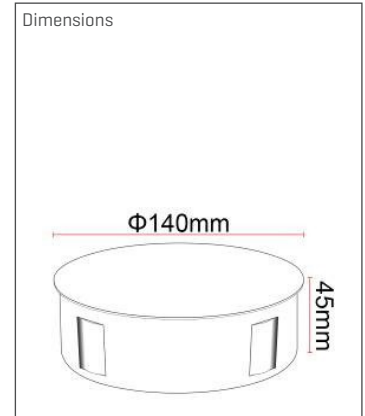


STAR | Ambient Lights

STAR 4

- Ambient light
- Material: aluminum alloy
- Power: 4 x 3W Cree Chip, 4-sided
- AC85-265V 50 / 60HZ
- Beam angle: 5 °
- IP44
- Lumen: 50-60 lm / W.
- Dimensions: Ø 140, 45 [H] mm
- Color temperature: WW / W / R / Y / G.
- Housing: black base + white cover
- Installation: surface-mounted



Product number	System performance typ. [W]	Light color	Beam characteristic	Luminous flux [lm]	CRI	Control
	■	◆	▲		▶	●
805534	4 x 3W Cree Chip	*WW / W / R / Y / G	5° IP44	50-60 / W	Ra>80	-

* WW = warm white (3000K), NW = natural white (4000K), W = white (6000K), R = red, G = green, B = blue, Y = yellow.

Article Number | Explanation

Example: HL-■S-HT●-02◆▲C▶

- HL Series
- System performance typ. [W]
- ◆ Light color
- ▲ Beam characteristic
- Control
- ▶ CRI
- * Dimensions [mm]
- × Equipment

For example: HL

HL Series, D=dimmmable, 80/100 Watt, 5000K, A2=120°, 60=60°, TA=60°x90°, 8=CRI>80

TRS-STAR GmbH

Werner-von-Siemens-Str. 1
76297 Stutensee

Development, Planning
and Technical Sales
Dipl. Ing. Frank Werz
T +49 6233 347-125
werz@trs-star.com