

TFS-STAR

t.interieur

Interior lights – classic, timeless, functional



LED Interior Light | [Product Overview](#)

---

# t.interieur

Interior lights – classic, timeless, functional

## Innovation and Curiosity are Strong Partners

Light - from innovative technology, in trend-setting design and execution in high reference quality is the focus of our thoughts and actions. We harmonize economic and ecological aspects. The added value for our customers lies in the combination of service and technical implementation.

We advise and develop solutions for energy-efficient, long-lasting and sustainable lighting worlds in cooperation with our customers and partners.

LED technology opens up completely new possibilities for efficiently designing lighting situations. Their economy and service life are convincingly good and we are also constantly improving them.

In the areas in which we do not manufacture [customer-specific] ourselves, our portfolio is perfectly rounded off by using carefully selected products from our cooperation partners.

Higher illuminance levels and improved light quality increase efficiency and general wellbeing. Therefore we provide suitable light calculations tailored to the customer as well as sample lights and other services.



## Area Lights

HLE-50/75/100W p. 10

HLE-150/180/200W p. 10

HLC-120/150W p. 11



HL-180/200W p. 11

HL-400W p. 12



HBL-100/80W p. 12

HBL-300W p. 14

HBL-500W p. 14

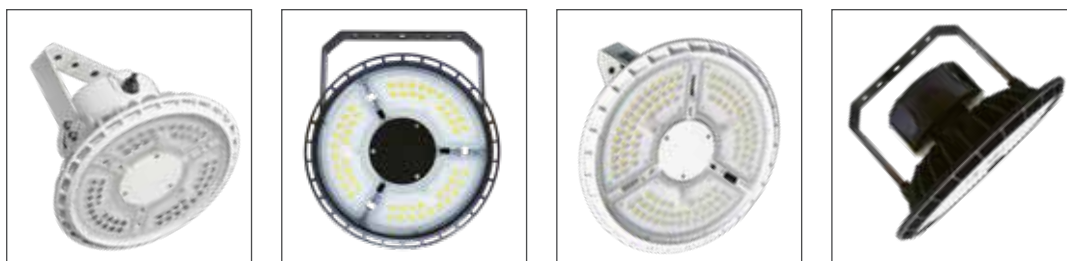


HBLA-100/ 80W p. 16

HBLA-100W Lite Version S. 16

HBLA-150W S. 17

HBLA-150W Lite Version S. 17



HBLA-200/300W p. 18

HBLA-650W p. 18

HBLA-850W p. 19





## Spotlights

HBLB-170W p. 20

HBLB-220W p. 20

WL-50/75W p. 21

WLA-10/20/30W p. 21



## Balloon Lights



PL-50/90W p. 22

BLN-150 /170W p. 22

BLN-200 /300W p. 23



## Sports Hall Lights / Festival Hall Lights



SWL-120W |

SWLA 120W / 150W p. 23





## Damp-Proof Tub Lights

TYTAN 2 LED Basic p. 24

TYTAN 2 LED p. 24



TYTAN 2 LED PRO p. 26

TYTAN 2 LED  
ENDURA Minus p. 26



TYTAN 2 LED  
ENDURA Plus p. 27

TYTAN 2 LED Hall p. 27



TYTAN 2 LED Chemo p. 28

TYTAN 2 Basic Multi p. 28



TYTAN 2 LED 24-48V p. 29



## Wall lights

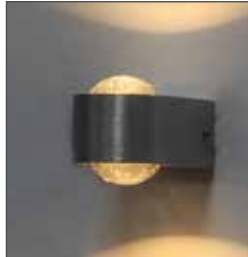
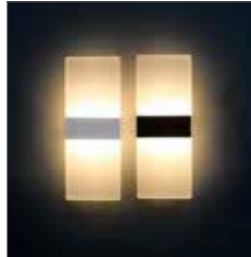
---

CUBE 3 / 6 / 12 p. 30

BEAM 2 / 4 p. 30

CROWN p. 31

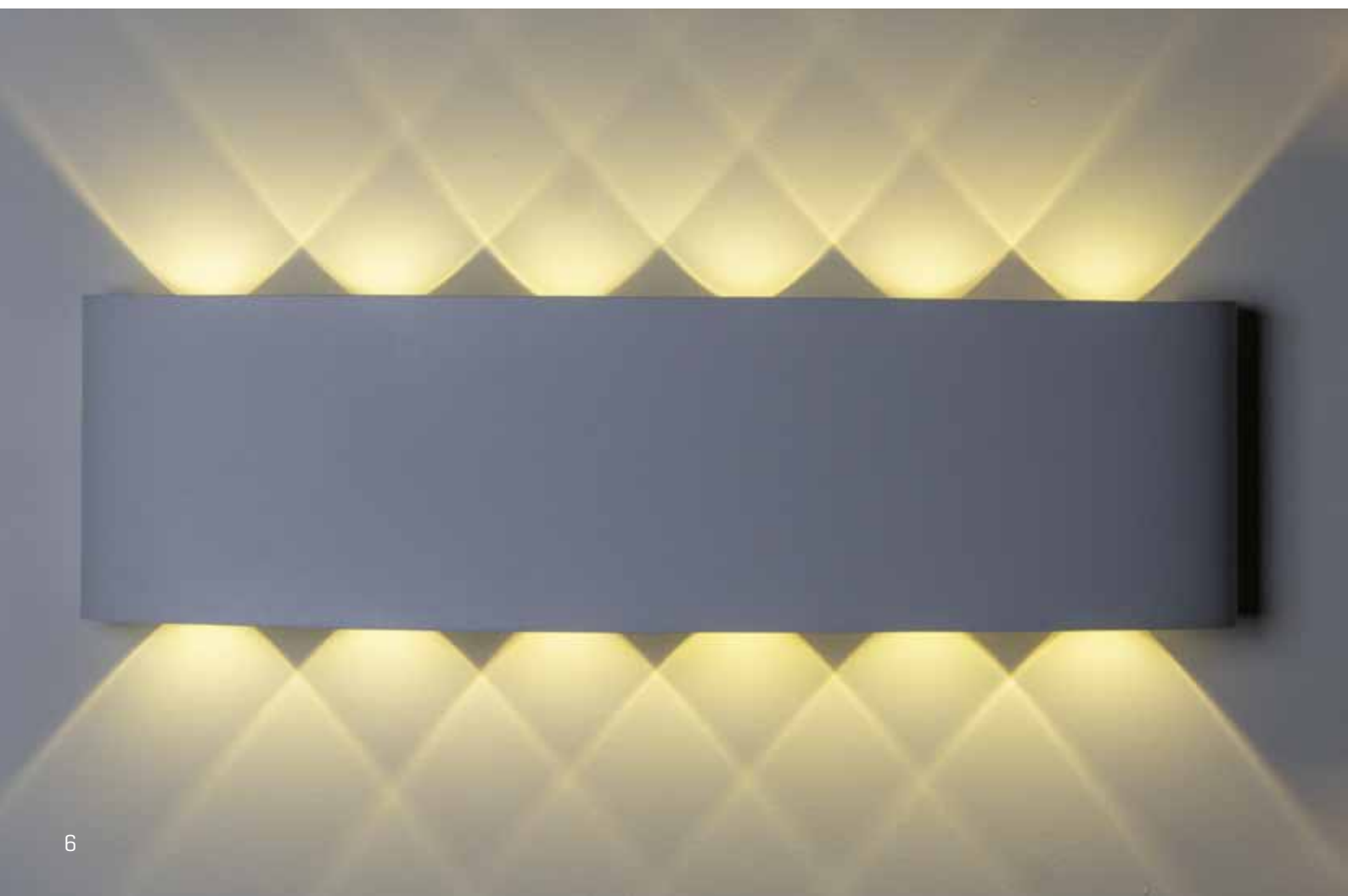
RELAX p. 31



PANDA p. 33

VIDA p. 33

V1 / V2 / V3



## Ceiling lights

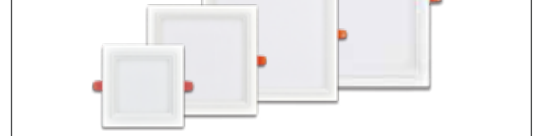
ENCORE RL  
6 / 10 / 15 / 22

p. 34



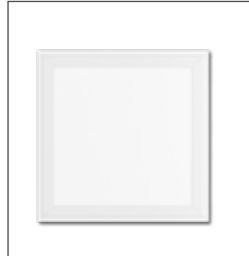
ENCORE SL  
6 / 10 / 15 / 22 /  
30 / 62

p. 36



ENCORE SL 30

p. 37



ENCORE SL 62

p. 38

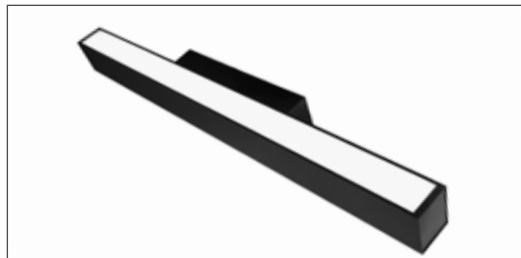
ENCORE SL 120

p. 40

 **LENA**  
LIGHTING

Baris  
Surface-mounted

p. 42



Baris  
Suspended

p. 42

Anello LED

p. 41



DLN 220 LED EVO

p. 43



## Ambient lights

---

STAR 4 p. 44

STAQ 4 p. 44

PEDASI p. 45



## StairLights

---

STEP Q p. 46

STEP RL / SL p. 46

STEP 2 RL / SL p. 47

STEP 3 RL / SL p. 47



## Article Number | Explanation

---

Example:

HL-■S-HT●-02◆▲C▶

- HL Series
- System performance typ. [W]
- ◆ Light color
- ▲ Beam characteristic
- Control
- ▶ CRI
- \* Dimensions [mm]
- ✕ Equipment

For example: HL

HL Series, D=dimnable, 80/100 Watt, 5000K, A2=120°, 60=60°, TA=60°x90°, 8=CRI>80



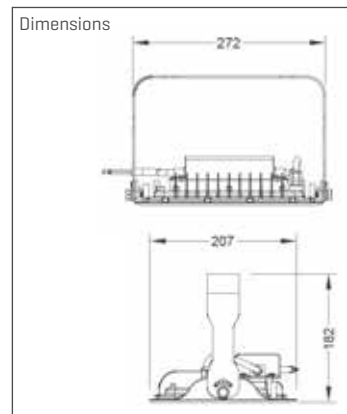




## Area Light

### HLE-50W / 75W / 100W

- Solid die-cast aluminum housing
- UV rated powder paint coating
- Rotatable bracket made of stainless steel
- No IR- and UV radiation
- low heat radiation
- System efficiency up to 146 lm/W [Ra > 80]
- Replaceable driver [plug and play system]
- Equipped with symmetric and asymmetric optical lens [optional]

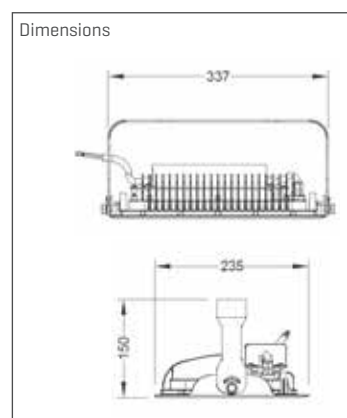


Product number	System performance typ. [W]	Light color	Beam characteristic	Luminous flux [lm]	CRI	Control
HLE-■S-HT-T6◆▲●	50/75/100	WD=5000K WN=4000K	A2=120° / 60=60°	11700-14600	8=CRI>80	without



### HLE-150W / 180W / 200W

- Solid die-cast aluminum housing
- UV rated powder paint coating
- Rotatable bracket made of stainless steel
- No IR- and UV radiation, low heat radiation
- System efficiency up to 146 lm/W [Ra > 80]
- Replaceable driver [plug and play system]
- Equipped with symmetric and asymmetric optical lens [Optional]



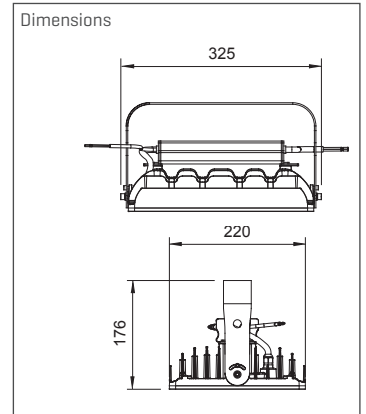
Product number	System performance typ. [W]	Light color	Beam characteristic	Luminous flux [lm]	CRI	Control
HLE-■S-HT-T6◆▲●	150/180/200	WD=5000K WN=4000K	A2=120° / 60=60°	21900-29200	8=CRI>80	without



## Area Light

### HLC-120W / 150W

- Solid die-cast aluminum housing
- Perfect resistant coating
- Rotatable bracket made of stainless steel
- Replaceable driver (plug and play system)
- System efficiency up to 157 lm/W [Ra > 80]
- Equipped with symmetric and asymmetric optical lens
- Dimmable 1-10V optional

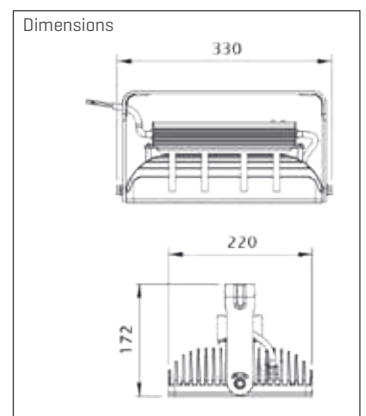


Product number	System performance typ. [W]	Light color	Beam characteristic	Luminous flux [lm]	CRI	Control
HLC-■KD-HP●-02◆▲C▶	120 / 150	WD=5000K WN=4000K	▲A2=120°, 60=60°, TA=60°x90°	18800-22700	8=CRI>80	●D=dimmable



### HL-180W / 200W

- Hard anodized die-cast aluminum alloy housing
- Hard anodized painting
- Tempered glass
- Stainless steel SUS304 bracket
- System efficiency up to 156 lm/W [Ra > 70]
- Vibration withstand to G test
- Pass level 17 wind tunnel test
- Twin modules can be adjusted to different angles



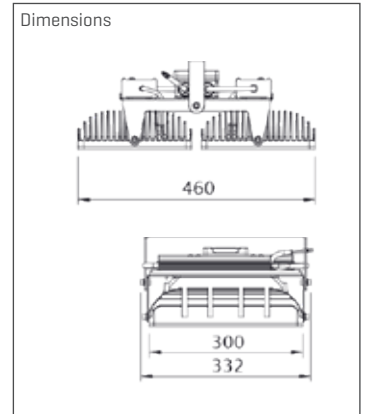
Product number	System performance typ. [W]	Light color	Beam characteristic	Luminous flux [lm]	CRI	Control
HL-■S-HPD-02◆▲C▶	180/200	WD=5000K WN=4000K	▲A2=120°, 60=60°, TA=60°x90°	25560-27000	8=CRI>80	●without



## Area Light

### HL-400W

- Solid die-cast aluminum housing
- UV rated powder coating
- Rotatable bracket made of stainless steel
- System efficiency up to 150 lm/W [Ra > 70]
- Dimmable 1-10V optional
- Twin modules can be adjusted to different angles

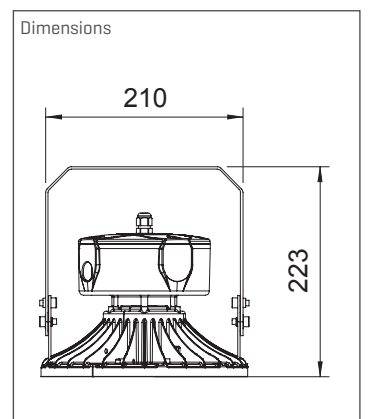


Product number	System performance typ. [W]	Light color	Beam characteristic	Luminous flux [lm]	CRI	Control
HL-■S-HT-T6◆▲C▶	80 / 100	WD=5000K WN=4000K	A2=120° / 60=60°	60000	8=CRI>80	without



### HBL-100W / 80W

- Solid die-cast aluminum housing
- Perfect resistant coating
- Light weight design, easy to handle
- Rotatable bracket made of stainless steel
- Precision optical distribution
- System efficiency up to 148 lm/W [Ra > 80]
- Dimmable 1-10V optional



Product number	System performance typ. [W]	Light color	Beam characteristic	Luminous flux [lm]	CRI	Control
HBL-■S-HT-T6◆▲C▶	150/180/200	WD=5000K WN=4000K	A2=120° / 60=60°	21900-29200	8=CRI>80	without

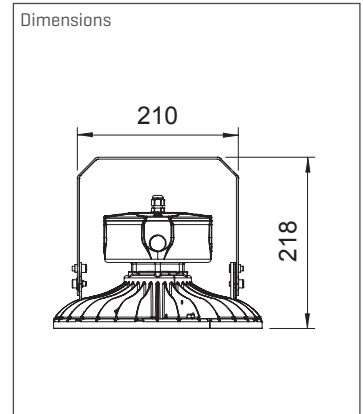




## Area Light

### HBL-150W

- Solid die-cast aluminum housing
- Perfect resistant coating
- Compact design, easy to handle
- Rotatable bracket made of stainless steel
- System efficacy up to 150 lm/W [Ra > 80]
- Emergency kit and motion sensor available

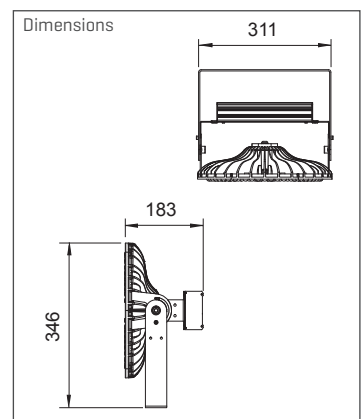


Product number	System performance typ. [W]	Light color	Beam characteristic	Luminous flux [lm]	CRI	Control
HBL-■KO-HP●-02◆▲C▶	120 / 150	WD=5000K WN=4000K	A2=120°, 60=60°, TA=60°x90°	18800-22700	8=CRI>80	D=dimmable



### HBL-200W

- Slim profile design, easy for installation
- Perfect resistant coating
- Rotatable bracket made of stainless steel
- System efficiency up to 157 lm/W [Ra > 70]
- Emergency kit and motion sensor available
- Dimmable 1-10V optional



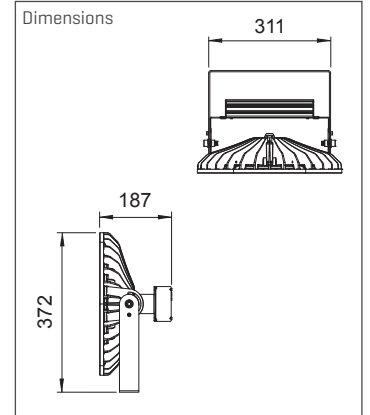
Product number	System performance typ. [W]	Light color	Beam characteristic	Luminous flux [lm]	CRI	Control
HBL-■S-HPD-02◆▲C▶	180/200	WD=5000K WN=4000K	A2=120°, 60=60°, TA=60°x90°	25560-27000	8=CRI>80	without



## Area Light

### HBL-300W

- Slim profile design, easy for installation
- Perfect resistant coating
- Rotatable bracket made of stainless steel
- System efficiency up to 153 lm/W [Ra > 70]
- Emergency kit and motion sensor available
- Dimmable 1-10V optional
- DLC Premium listed

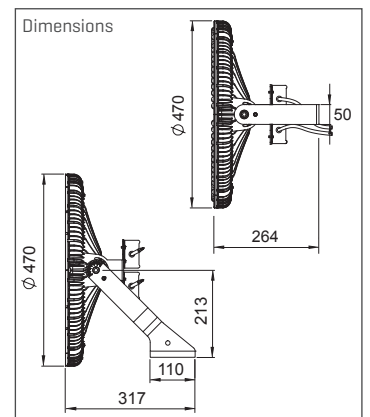


Product number	System performance typ. [W]	Light color	Beam characteristic	Luminous flux [lm]	CRI	Control
HBL-■S-HT-T6◆▲C	80 / 100	WD=5000K WN=4000K	A2=120° / 60=60°	11700-14600	8=CRI>80	without

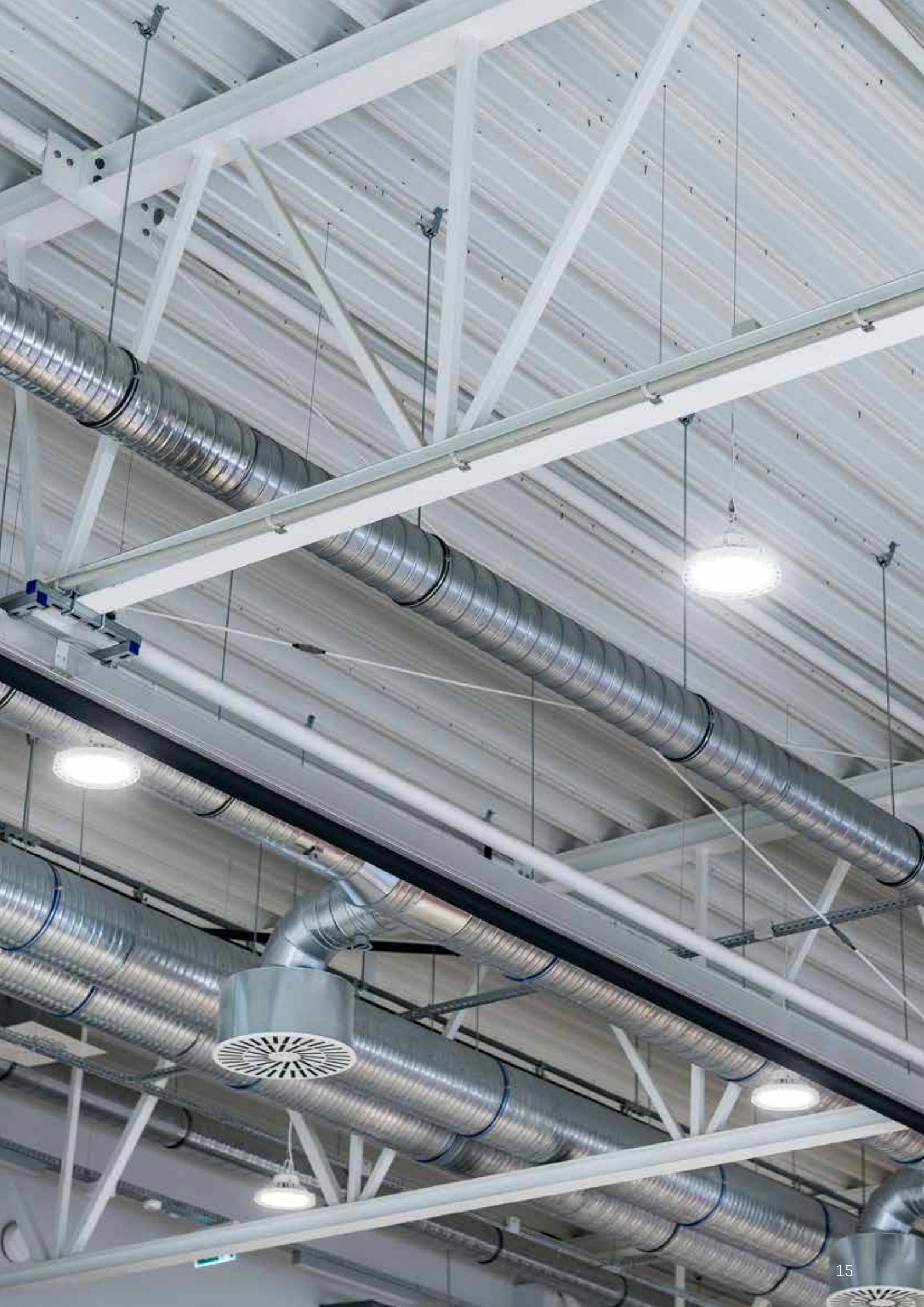


### HBL-500W

- Housing made of die-cast aluminum, magnesium
- Perfect resistant coating
- Rotatable bracket made of stainless steel
- 3/4 inch NPT pendant mount available for market
- System efficiency up to 156 lm/W [Ra > 70]
- Dimmable 1-10V optional
- DLC Premium listed



Product number	System performance typ. [W]	Light color	Beam characteristic	Luminous flux [lm]	CRI	Control
HBL-■S-HT-T6◆▲C	150/180/200	WD=5000K WN=4000K	A2=120° / 60=60°	21900-29200	8=CRI>80	without

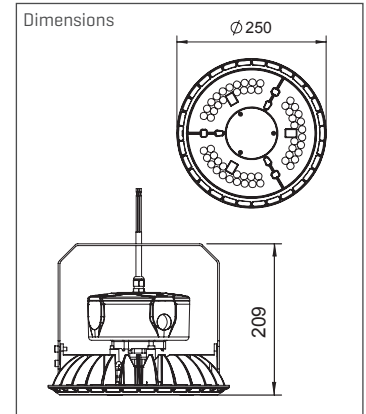




## Area Light

### HBLA-100W / 80W

- Solid die-cast aluminum housing
- Perfect resistant coating
- Bracket made of stainless steel
- Precision optical distribution
- System efficiency up to 148 lm/W [Ra > 80]
- Dimmable 1-10V optional

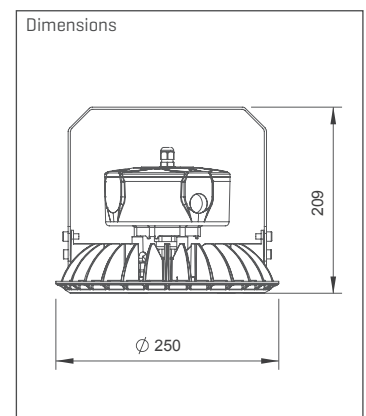


Product number	System performance typ. [W]	Light color	Beam characteristic	Luminous flux [lm]	CRI	Control
HBLA-■K0-HP●-02◆▲C	120 / 150	WD=5000K WN=4000K	A2=120°, 60=60°, TA=60°x90°	18800-22700	8=CRI>80	D=dimmable



### HBLA-100W Lite Version

- Solid die-cast aluminum housing
- UV rated powder paint coating
- Precision optical distribution
- System efficacy up to 132 lm/W [Ra > 80]
- IP65 rated for outdoor and indoor applications



Product number	System performance typ. [W]	Light color	Beam characteristic	Luminous flux [lm]	CRI	Control
HBLA-■S-HPD-02◆▲C	180/200	WD=5000K WN=4000K	A2=120°, 60=60°, TA=60°x90°	25560-27000	8=CRI>80	without

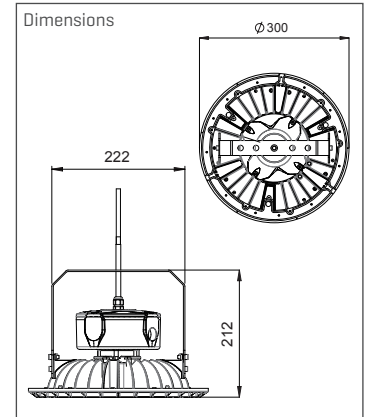




## Area Light

### HBLA-150W

- Solid die-cast aluminum housing
- Eye-bolts mounting, easy to install
- Perfect resistant coating
- Precision optical distribution
- System efficacy up to 167 lm/W [Ra > 80]
- Dimmable 1-10V optional
- DLC Premium listed

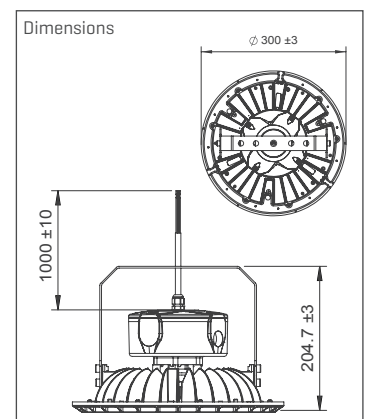


Product number	System performance typ. [W]	Light color	Beam characteristic	Luminous flux [lm]	CRI	Control
HBL-■S-HT-T6◆▲C▶	80 / 100	WD=5000K WN=4000K	A2=120° / 60=60°	11700-14600	8=CRI>80	without



### HBLA-150W Lite Version

- Solid die-cast aluminum housing
- UV rated powder paint coating
- Precision optical distribution
- System efficiency up to 132 lm/W [Ra > 80]
- IP65 rated for outdoor and indoor applications



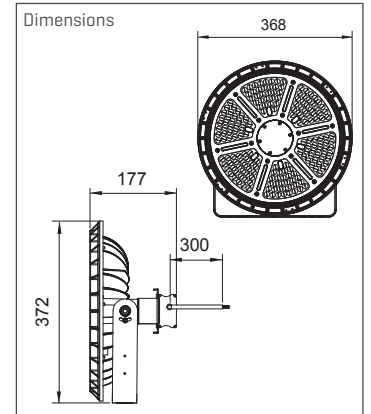
Product number	System performance typ. [W]	Light color	Beam characteristic	Luminous flux [lm]	CRI	Control
HBLA-■S-HT-T6◆▲C▶	150/180/200	WD=5000K WN=4000K	A2=120° / 60=60°	21900-29200	8=CRI>80	without



## Area Light

### HBLA-200W / 300W

- Solid die-cast aluminum housing
- Perfect resistant coating
- Bracket made of stainless steel
- Precision optical distribution
- System efficiency up to 147 lm/W [Ra > 80]
- Dimmable 1-10V optional

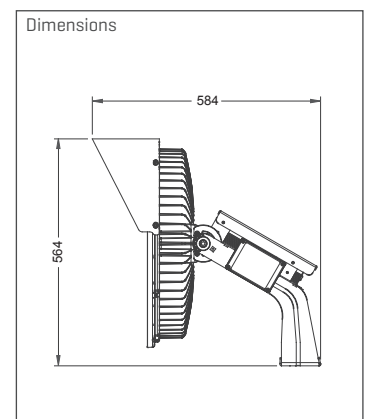


Product number	System performance typ. [W]	Light color	Beam characteristic	Luminous flux [lm]	CRI	Control
HBLA-■K0-HP●-02◆▲C	120 / 150	WD=5000K WN=4000K	A2=120°, 60=60°, TA=60°x90°	18800-22700	8=CRI>80	D=dimmable



### HBLA-650W

- Solid die-cast aluminum housing
- Perfect resistant coating
- Strong bracket support
- Electrical wiring protection
- Precision optical distribution
- System efficiency up to 144 lm/W [ Ra > 70 ]
- Beam angle from 15°-30°-60°-100°



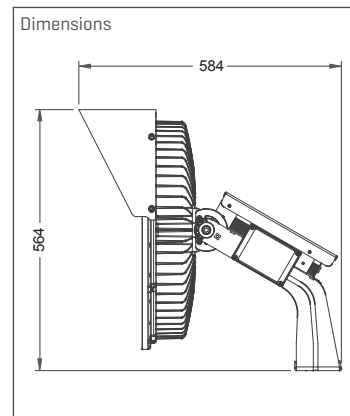
Product number	System performance typ. [W]	Light color	Beam characteristic	Luminous flux [lm]	CRI	Control
HBLA-■S-HPD-02◆▲C	180/200	WD=5000K WN=4000K	A2=120°, 60=60°, TA=60°x90°	25560-27000	8=CRI>80	without



## Area Light

### HBLA-850W

- Replace up to 2000W metal halide
- Solid die-cast aluminum housing
- Perfect resistant coating
- Strong bracket support
- Electrical wiring protection [optional]
- Precision optical distribution
- System efficiency up to 136 lm/W [Ra > 70]
- Beam angle from 15°-30°-60°-120°



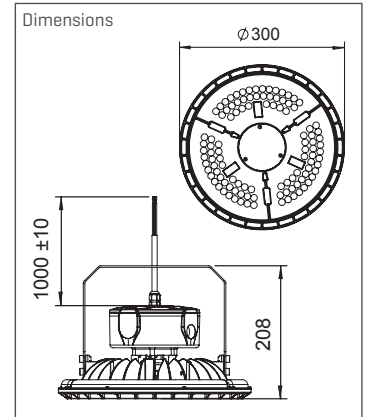
Product number	System performance typ. [W]	Light color	Beam characteristic	Luminous flux [lm]	CRI	Control
HBLA-■S-HT-T6◆▲C▶	80 / 100	WD=5000K WN=4000K	A2=120° / 60=60°	11700-14600	8=CRI>80	without



## Spotlights

### HBLB-170W

- Solid die-cast aluminum housing
- Perfect resistant coating
- Bracket made of stainless steel
- Illumination ration 7% uplight and 93 % down
- Precision optical distribution
- System efficiency up to 142 lm/W [Ra > 80]

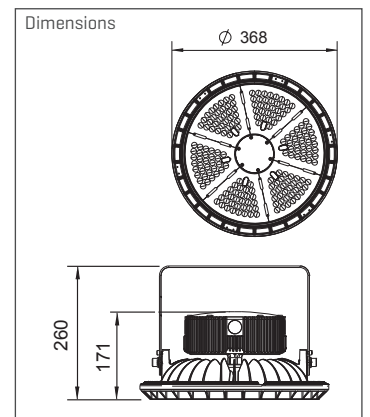


Product number	System performance typ. [W]	Light color	Beam characteristic	Luminous flux [lm]	CRI	Control
HBLB-■KO-HP●-02◆▲C	120 / 150	WD=5000K, WN=4000K	A2=120°, 60=60°, TA=60°x90°	18800-22700	8=CRI>80	D=dimmable



### HBLB-220W

- Solid die-cast aluminum housing
- Perfect resistant coating
- HOOK mounting, easy to install
- Illumination ration 12% uplight and 88 % down
- System efficiency up to 149 lm/W [Ra > 70]
- Dimmable 1-10V optional
- Tempered glass available
- DLC Premium listed



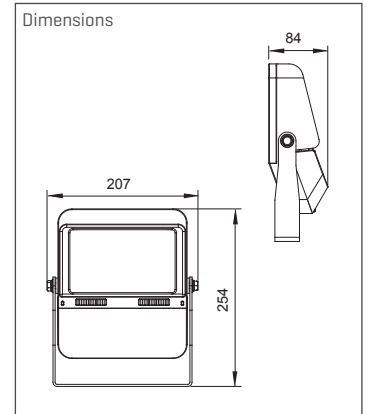
Product number	System performance typ. [W]	Light color	Beam characteristic	Luminous flux [lm]	CRI	Control
HBLB-■S-HPD-02◆▲C	180/200	WD=5000K, WN=4000K	A2=120°, 60=60°, TA=60°x90°	25560-27000	8=CRI>80	without



## Spotlights

### WL-50W / 75W

- Solid die-cast aluminum housing
- Powder coating with UV protection
- Rotatable bracket made of stainless steel
- System efficiency up to 168 lm / W [Ra> 70]
- Degree of protection IP65 for outdoor use
- IK07 impact resistance

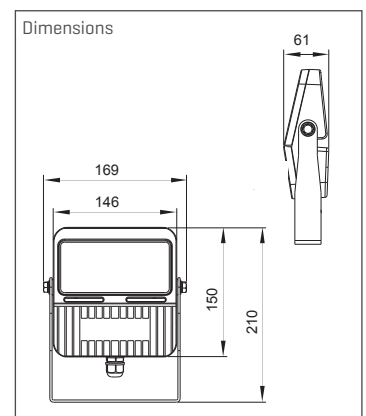


Product number	System performance typ. [W]	Light color	Beam characteristic	Luminous flux [lm]	CRI	Control
WL-■S-V-c-C30◆▲C▷	50/75	WD=5000K, WN=4000K	A2=120°	8000-12600	7=CRI>70, 8=CRI>80	without



### WLA-10W / 20W / 30W

- Solid die-cast aluminum housing
- Powder coating with UV protection
- Rotatable bracket made of stainless steel
- System efficiency up to 157 lm / W [Ra> 70]
- Degree of protection IP65 for outdoor use



Product number	System performance typ. [W]	Light color	Beam characteristic	Luminous flux [lm]	CRI	Control
WLA-■S-V-csil-C30◆▲C▷	30	WD=5000K, WN=4000K	A2=120°	4700	7=CRI>70, 8=CRI>80	without

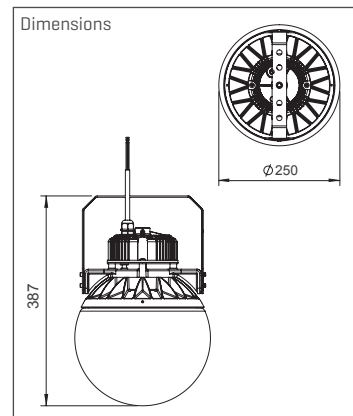




## Balloon Lights

### PL-50W / 90W

- Solid die-cast aluminum housing
- Rotatable bracket made of stainless steel
- Comfortable lighting quality for CRI 80
- System efficiency up to 142 lm/W [ Ra > 80 ]
- IP65 protection for outdoor applications
- Flexible in different application fitting

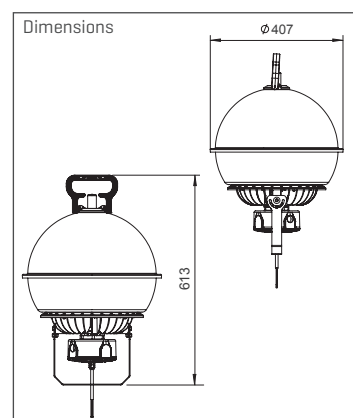


Product number	System performance typ. [W]	Light color	Beam characteristic	Luminous flux [lm]	CRI	Control
PL-■K0-HP●-02◆▲C▶	120 / 150	WD=5000K, WN=4000K	A2=120°, 60=60°, TA=60°x90°	18800-22700	8=CRI>80	D=dimmable



### BLN-150W / 170W

- Solid die-cast aluminum housing
- Rotatable bracket made of stainless steel
- System efficiency up to 90 lm/W [ Ra > 80 ]
- Globe 360° light distribution
- Flexible in different application fitting
- Easy in carrying



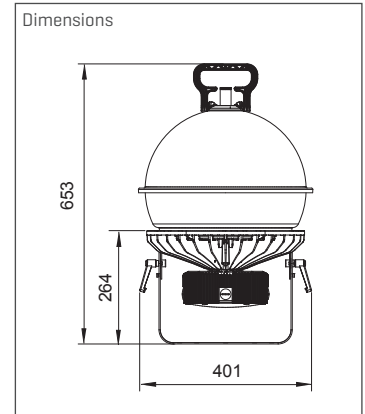
Product number	System performance typ. [W]	Light color	Beam characteristic	Luminous flux [lm]	CRI	Control
BLN-■S-HPD-02◆▲C▶	180/200	WD=5000K, WN=4000K	A2=120°, 60=60°, TA=60°x90°	25560-27000	8=CRI>80	without



## Balloon Lights

### BLN-200W / 300W

- Solid die-cast aluminum housing
- Rotatable bracket made of stainless steel
- System efficiency up to 90 lm/W [Ra > 80]
- Globe 360° light distribution
- Flexible in different application fitting
- Easy in carrying



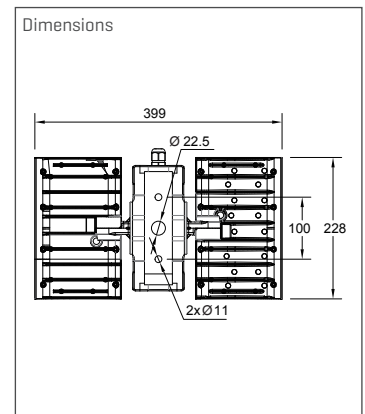
Product number	System performance typ. [W]	Light color	Beam characteristic	Luminous flux [lm]	CRI	Control
BLN-■S-HT-T6◆▲C	80 / 100	WD=5000K, WN=4000K	A2=120° / 60=60°	11700-14600	8=CRI>80	without



## Sports Hall Lights / Festival Hall Lights

### SWL-120W | SWLA 120W / 150W

- Solid die-cast aluminum housing
- Perfect resistant coating
- Low profile with adjustable lighting system design
- 0-90 degrees turnable design
- System efficiency up to 162 lm/W [Ra > 70]
- Dimmable 1-10V optional
- Ideal for sports halls / festival Halls



Product number	System performance typ. [W]	Light color	Beam characteristic	Luminous flux [lm]	CRI	Control
SWLA-■S-T●N-cWHISTR-T6◆▲C	120/150	WD=5000K, WN=4000K	50=50°, 120=120°	18100-21700	8=CRI>80	D=dimmable

## Damp-Proof Tub Lights



### TYTAN 2 LED Basic

- Airtight damp-proof tub light
- Ingress protection: IP66
- Impact resistance class: IK09
- SDCM ≤ 3
- Colour rendering index: Ra > 80
- Body material: PC
- Mounting: surface, suspended
- Certificates: PZH, HACCP



Product number	System performance typ. [W]	Light color	Beam characteristic	Equipment	Luminous flux [lm]	Length [mm]	EEL
■	◆	▲	×			▯	●
9701■00◆-×	30/43/50	40 = 4000K		BA = Basic	3900-6800	1152 [30/43/50W]	A+
				RCR = motion detector		1432 [44/75W]	
	75			LS2 = continuous cabling	10000	1432	A++
				3hEM = emergency light 3h			



### TYTAN 2 LED

- Ingress protection: IP66
- Impact resistance class: IK09
- SDCM ≤ 3
- Colour rendering index: Ra > 80
- Body material: PC
- Mounting: surface, suspended
- Certificates: PZH, HACCP



Product number	System performance typ. [W]	Light color	Beam characteristic	Equipment	Luminous flux [lm]	Length [mm]	EEL
■	◆	▲	×			▯	●
9702■00◆-×	16/28/35/42/	30 = 3000K 40 = 4000K 50 = 5000K		BA = Basic	2420-11300	1152 [16/28/47/55W]	A++
	47/55/69			RCR = motion detector		1432 [35/42/69W]	
				LS2 = continuous cabling			
				3hEM = emergency light 3h			



## Damp-Proof Tub Lights

### TYTAN 2 LED PRO

- Ingress protection: IP67
- Impact resistance class: IK09
- SDCM ≤ 3
- Colour rendering index: Ra > 80
- Body material: PC
- Mounting: surface, suspended
- Certificates: PZH, HACCP



Product number	System performance typ. [W]	Light color	Beam characteristic	Equipment	Luminous flux [lm]	Length [mm]	EEL
■	◆	▲	×			▶	●
9703■00◆▶-×	13/24/29/33/ 40/47/59/70	40 = 4000K		BA = Basic RCR = motion detector LS2 = continuous cabling 3hEM = emergency light 3h	2500-12000	1152 [13/24/ 40/47W] 1432 [29/33/ 59/70W]	A++

### TYTAN 2 LED ENDURA Minus

- Use at very low temperatures  
from -40 to + 45 °
- Ingress protection: IP66
- Impact resistance class: IK09
- SDCM ≤ 3
- Colour rendering index: Ra > 80
- Body material: PC
- Mounting: surface, suspended
- Certificates: PZH, HACCP



Product number	System performance typ. [W]	Light color	Beam characteristic	Equipment	Luminous flux [lm]	Length [mm]	EEL
■	◆	▲	×			▶	●
9704■00◆▶-×	55/69	40 = 4000K		BA = Basic LS2 = continuous cabling	9050-11300	1152 [55W] 1432 [69W]	A++



## Damp-Proof Tub Lights

### TYTAN 2 LED ENDURA Plus

- Use at very high temperatures from -40 to + 60 °
- Ingress protection: IP66
- Impact resistance class: IK09
- SDCM ≤ 3
- Colour rendering index: Ra > 80
- Body material: PC
- Mounting: surface, suspended
- Certificates: PZH, HACCP



Product number	System performance typ. [W]	Light color	Beam characteristic	Equipment	Luminous flux [lm]	Length [mm]	EEL
■	◆	▲	×			▯	●
9705■00◆-×	28/35/43/49	40 = 4000K		BA = Basic LS2 = continuous cabling	4750-8200	1152 [28/43W] 1432 [35/49W]	A++

### TYTAN 2 LED Hall

- Optimized for the lighting of halls with high-bay warehouses
- narrow light distribution 60-90 °
- Ingress protection: IP66
- Impact resistance class: IK09
- SDCM ≤ 3
- Colour rendering index: Ra > 80
- Body material: PC
- Mounting: surface, suspended



Product number	System performance typ. [W]	Light color	Beam characteristic	Equipment	Luminous flux [lm]	Length [mm]	EEL
■	◆	▲	×			▯	●
9706■00◆-▲×	58/72	30 = 3000K 40 = 4000K 50 = 5000K	60=60° 70=70° 90=90°	BA = Basic DA = DALI LS2 = continuous cabling	8200-10400	1152 [58W] 1432 [72W]	A++

## Damp-Proof Tub Lights

### TYTAN 2 LED Chemo

- Ingress protection: IP66
- Increased resistance to chemical agents
- Copolyester (PCT-G) diffuser
- Impact resistance class: IK09
- SDCM ≤ 3
- Colour rendering index: Ra > 80
- Body material: ABS
- Mounting: surface, suspended
- Certificates: HACCP, GREENGUARD



Product number	System performance typ. [W]	Light color	Beam characteristic	Equipment	Luminous flux [lm]	Length [mm]	EEL
	■	◆	▲	×		▶	●
9707■00◆▶-▲×	28/35/47/69	40 = 4000K		BA = Basic RCR = motion detector LS2 = continuous cabling 3hEM = emergency light 3h	4550-11300	1152 [28/47W] 1432 [35/69W]	A++

### TYTAN 2 Basic Multi

- Power supply unit with dedicated microswitch
- Ingress protection: IP67
- Impact resistance class: IK09
- SDCM ≤ 3
- Colour rendering index: Ra > 80
- Body material: PC
- Mounting: surface, suspended
- Certificates: PZH, HACCP



Product number	System performance typ. [W]	Light color	Beam characteristic	Equipment	Luminous flux [lm]	Length [mm]	EEL
	■	◆	▲	×		▶	●
9708■00◆▶-▲×	33=19/23/28/33 53=30/38/46/53 62=34/43/52/62 40=23/29/34/40	40 = 4000K		BA = Basic RCR = motion detector 3hEM = emergency light 3h	2500/3000/ 3450/3850 4200/5000/ 5750/6300 4800/5750/ 6550/7300 3050/3650/ 4200/4750	1152 [33/53/ 62W] 1432 [40W]	A++

## Damp-Proof Tub Lights

### TYTAN 2 LED 24-48V

- Direct Current (DC) or Alternating Current (AC)  
Electrical installation with a voltage between 24 V and 48 V
- Ingress protection: IP44
- Impact resistance class: IK09
- SDCM ≤ 3
- Colour rendering index: Ra > 80
- Body material: PC
- Mounting: surface, suspended



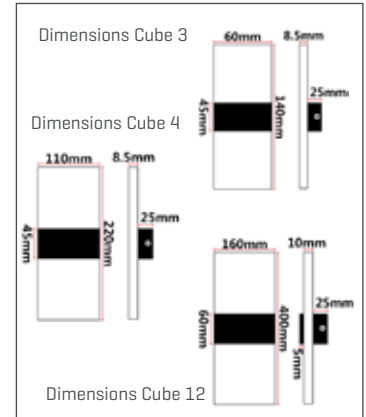
Product number	System performance typ. [W]	Light color	Beam characteristic	Equipment	Luminous flux [lm]	Length [mm]	EEL
9709■00◆▶-▲✘	19	40 = 4000K	▲	✘	2750	1152	●



## Wall lights

### CUBE 3 / 6 / 12

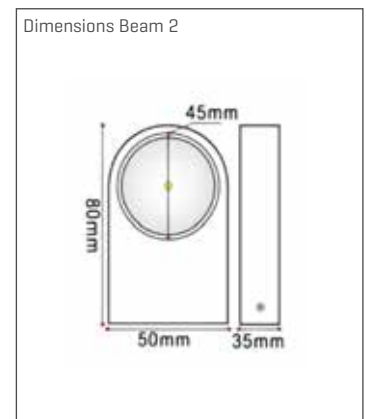
- Decorative wall light
- Material: PMMA [acrylic]
- Housing: white / black
- Power: 3W / 6W / 12W 2835SMD
- AC85-265V 50 / 60HZ
- Beam angle: 180 °
- IP44
- Dimensions:  
 Cube 3: 60 x 140 x 33.5 mm  
 Cube 6: 110 x 290 x 33.5 mm  
 Cube 12: 160 x 400 x 40 mm
- Color temperature: WW / NW / W



Product number	System performance typ. [W]	Light color	Beam characteristic	Luminous flux [lm]	CRI	Control
805536-white	3			160 ~ 180		
805562-black	3			160 ~ 180		
805538-white	6	*WW=3000K,	180°, IP44	280 ~ 300	Ra>80	-
805564-black	6	NW=4000K,		280 ~ 300		
805539-white	12	W=6000K		420 ~ 480		
805565-black	12			420 ~ 480		

### BEAM 2 / 4

- Decorative wall light
- Material: aluminum alloy
- Case: silver / black
- Power: 2 x 2 W Power LED
- AC85-265V 50 / 60HZ
- Beam angle: 180 °
- IP44
- Lumens: 70 ~ 80 lm / W Ra> 80
- Dimensions [R]: 50 x 35 x 80 mm
- Color: WW / R / G / B / Y / P



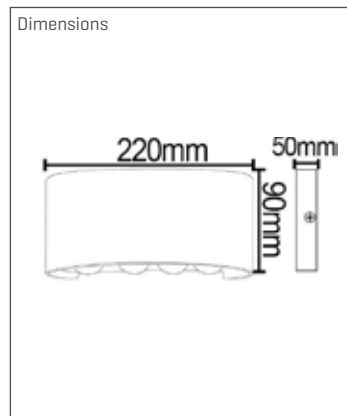
Product number	System performance typ. [W]	Light color	Beam characteristic	Luminous flux [lm]	CRI	Control
805544-silver	2 x 1 W Power LED		180°, IP44	70 ~ 80/W Ra>80	Ra>80	-
805566-black		*WW/R/G/B/				
805545-silver	2 x 2 W Power LED	Y/P				
805567-black						

\* WW = warm white (3000K), NW = natural white (4000K), W = white (6000K), R = red, G = green, B = blue, Y = yellow.

## Wall lights

### CROWN

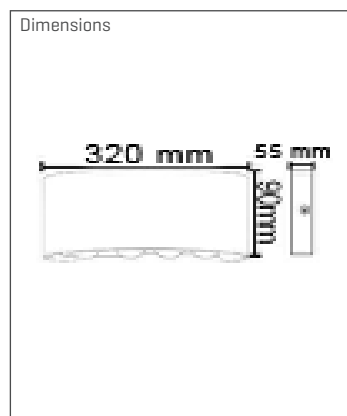
- Decorative wall light
- Material: aluminum alloy
- Housing: white / black
- Power: 8 x 1 W power LED
- Volt: AC85-265V 50 / 60HZ
- Beam angle: 120 ° upwards and downwards
- IP65
- Lumens: 100 ~ 110 lm / W Ra> 80
- Dimensions: 220 x 90 x 50 mm
- Color temperature: WW / NW / W



Product number	System performance typ. [W]	Light color	Beam characteristic	Luminous flux [lm]	CRI	Control
805546-white	■	◆	▲		▶	●
805568-black	8 x 1 W Power LED	*WW / NW / W	120 ° upwards and below IP65	100 ~ 110/W Ra>80	Ra>80	-

### RELAX

- Decorative wall light
- Material: aluminum alloy
- Housing: white
- Power: 8 x 1 W power LED
- Volt: AC85-265V 50 / 60HZ
- Beam angle: 120 ° upwards and downwards
- IP65
- Lumens: 100 ~ 110 lm / W Ra> 80
- Dimensions: 320 x 90 x 55 mm
- Color temperature: WW / NW / W



Product number	System performance typ. [W]	Light color	Beam characteristic	Luminous flux [lm]	CRI	Control
805583	■	◆	▲		▶	●
805583	12 x 1W Power LED	*NW	120 ° upwards and below IP65	100 ~ 110/W Ra>80	Ra>80	-

\* WW = warm white (3000K), NW = natural white (4000K), W = white (6000K), R = red, G = green, B = blue, Y = yellow.

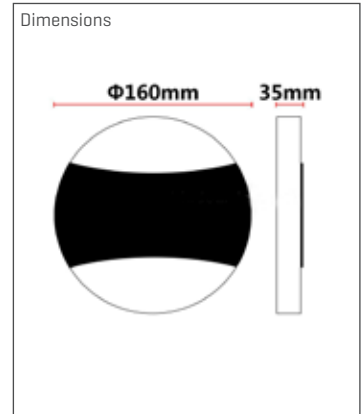




## Wall lights

### PANDA

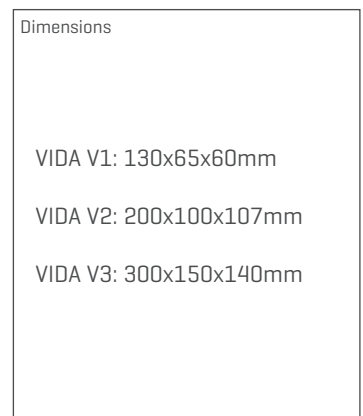
- Decorative wall light
- Material: aluminum + PMMA [acrylic]
- Power: 6W
- AC85-265V 50 / 60HZ
- Beam angle: 120 ° upwards and downwards
- IP65
- Lumen: 80 ~ 90 lm / W Ra> 80
- Dimensions: ~ 130 x 35 mm
- Color temperature: WW / NW / W
- Housing: black



Product number	System performance typ. [W]	Light color	Beam characteristic	Luminous flux [lm]	CRI	Control
	■	◆	▲		▶	●
805548-schwarz	6	*WW / NW / W	up/down IP65	80 ~ 90/W Ra>80	Ra>80	-

### VIDA V1 / V2 / V3

- Decorative wall light
- Material: aluminum
- Power: 2 W / 6 W / 14 W.
- Volt: AC85-265V 50 / 60HZ
- Beam angle: 120 ° upwards and downwards
- IP65
- Lumen: 80 ~ 90 lm / W Ra> 80
- Color temperature: WW / NW / W
- Housing: black / white



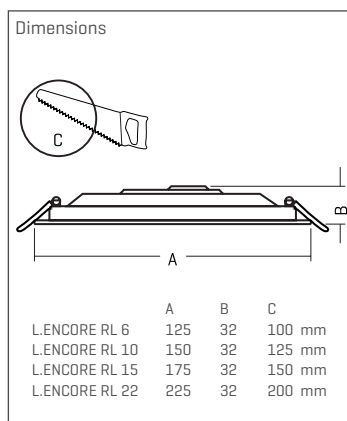
Product number	System performance typ. [W]	Light color	Beam characteristic	Luminous flux [lm]	CRI	Control
	■	◆	▲		▶	●
805589-white	2					
805558-black	6	*WW / NW / W	120 ° up and down IP65	80 ~ 90/W Ra>80	Ra>80	-
805590-white	14					

\* WW = warm white (3000K), NW = natural white (4000K), W = white (6000K), R = red, G = green, B = blue, Y = yellow.

## Ceiling lights

### ENCORE RL 6 / 10 / 15 / 22

- Extremely flat LED ceiling recessed downlight
- 32mm installation height
- 4 different sizes
- Mounting frame as an accessory
- Homogeneous light surface
- Opal wide diffuser disc
- Installation depth 32mm
- Integrated switchable converter
- External dimmable converter
- Tool-free installation
- Flicker-free light
- From size RL10 with mounting frame also as suitable for wall / surface-mounted luminaires



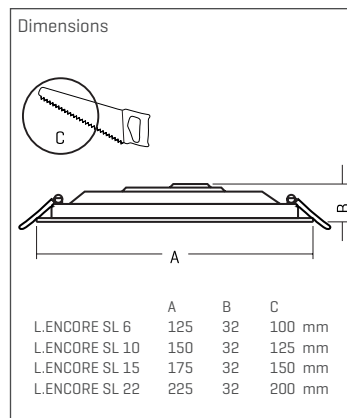
Designation	System performance typ. [W]	Light color	Luminous flux [lm]	Control
	■	◆		●
805602	6	3000K	510	switchable
805603	6	4000K	540	switchable
805604	6	3000K	510	DALI
805605	6	4000K	540	DALI
805596	10	3000K	850	switchable
805606	10	4000K	900	switchable
805607	10	3000K	850	DALI
805608	10	4000K	900	DALI
805597	15	3000K	1270	switchable
805609	15	4000K	1350	switchable
805610	15	3000K	1270	DALI
805611	15	4000K	1350	DALI
805598	22	3000K	1870	switchable
805612	22	4000K	1980	switchable
805613	22	3000K	1870	DALI
805614	22	4000K	1980	DALI



## Ceiling lights

### ENCORE SL 6 / 10 / 15 / 22

- Extremely flat LED ceiling recessed downlight
- 32mm installation height
- 4 different sizes
- Mounting frame as an accessory
- Homogeneous light surface
- Opal wide diffuser disc
- Installation depth 32mm
- Integrated switchable converter
- External dimmable converter
- Tool-free installation
- Flicker-free light
- From size SL10 with mounting frame also as Suitable for wall / surface-mounted luminaires



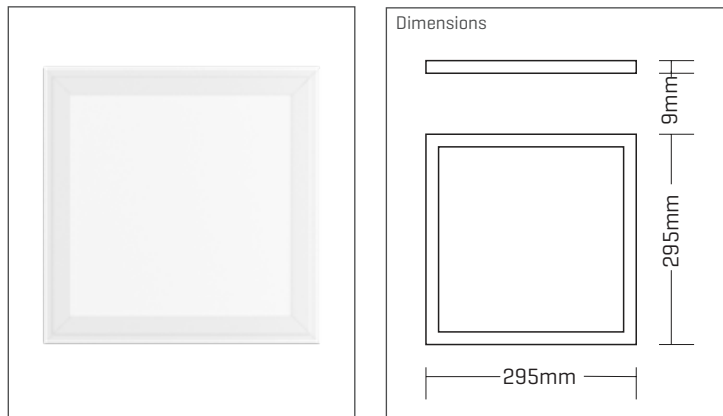
Product number	System performance typ. [W]	Light color	Luminous flux [lm]	Control
805599	6	3000K	510	switchable
805615	6	4000K	540	switchable
805616	6	3000K	510	dimmable
805617	6	4000K	540	dimmable
805600	10	3000K	850	switchable
805618	10	4000K	900	switchable
805619	10	3000K	850	dimmable
805620	10	4000K	900	dimmable
805601	15	3000K	1270	switchable
805621	15	4000K	1350	switchable
805622	15	3000K	1270	dimmable
805623	15	4000K	1350	dimmable
805592	22	3000K	1870	switchable
805624	22	4000K	1980	switchable
805625	22	3000K	1870	dimmable
805626	22	4000K	1980	dimmable



## Ceiling lights

### ENCORE SL 30

- Ultra-flat square LED recessed ceiling light
- Recessed, surface-mounted, pendant version and wall lamp
- Opal uniformly wide diffuser disc
- Patented edge feed
- Flicker-free light
- Including external converter
  
- Modifications:
  - dimming interface
  - Accessories for types of assembly



Product number	System performance typ. [W]	Light color	Luminous flux [lm]	Control
805593	24	3000K	2304	switchable
805628	24	4000K	2400	switchable
805630	24	6000K	2520	switchable
805627	24	3000K	2304	DALI
805629	24	4000K	2400	DALI
805631	24	6000K	2520	DALI

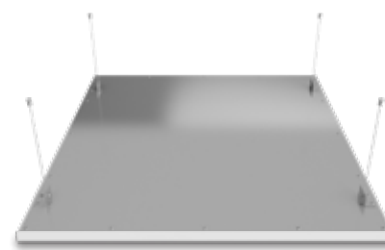
#### Equipment



Mounting frame



Installation clips

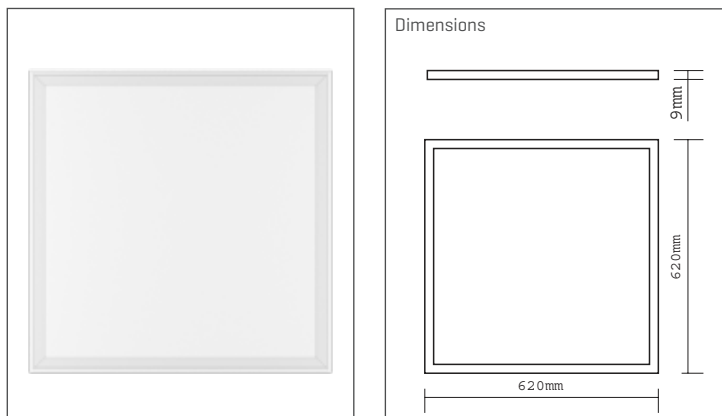


Pendulum set

## Ceiling lights

### ENCORE SL 62

- Ultra-flat square LED recessed ceiling light
- Recessed, surface-mounted, pendant version and wall lamp
- Opal uniformly wide diffuser disc
- Patented edge feed
- Flicker-free light
- Including external converter
  
- Modifications:
  - dimming interface
  - Accessories for types of assembly



Product number	System performance typ. [W]	Light color	Luminous flux [lm]	Control
	■	◆		●
805594	45	3000K	4320	switchable
805633	45	4000K	4500	switchable
805635	45	6000K	4725	switchable
805632	45	3000K	4320	DALI
805634	45	4000K	4500	DALI
805636	45	6000K	4725	DALI

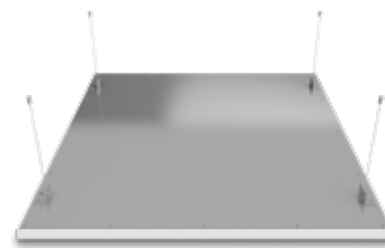
#### Equipment



Mounting frame



Installation clips



Pendulum set

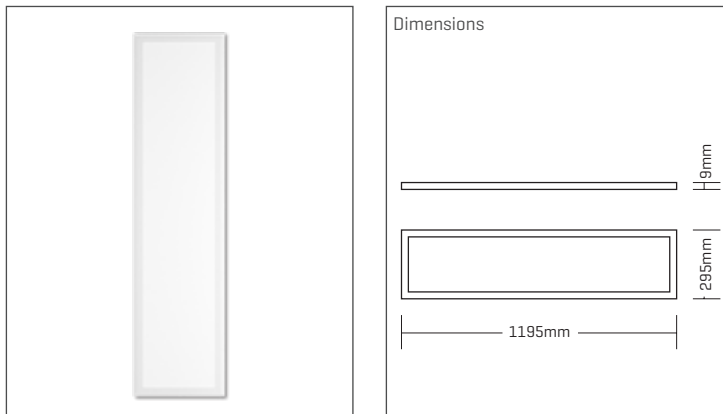


## Ceiling lights

### ENCORE SL 120

- LED ceiling light
- Ultra-flat 9mm light panel
- Recessed, surface-mounted, pendant version and wall lamp
- Opal uniformly wide diffuser disc
- Patented edge feed
- Flicker-free light
- Including external converter

- Modifications:
- - dimming interface
- - Accessories for types of assembly



Product number	System performance typ. [W]	Light color	Luminous flux [lm]	Control
	■	◆		●
805595	45	3000K	4320	switchable
805638	45	4000K	4500	switchable
805640	45	6000K	4725	switchable
805637	45	3000K	4320	DALI
805639	45	4000K	4500	DALI
805641	45	6000K	4725	DALI

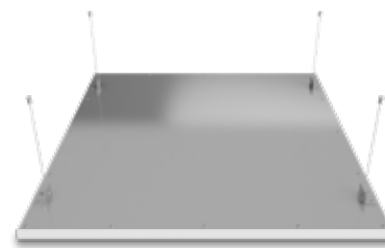
#### Equipment



Mounting frame



Installation clips

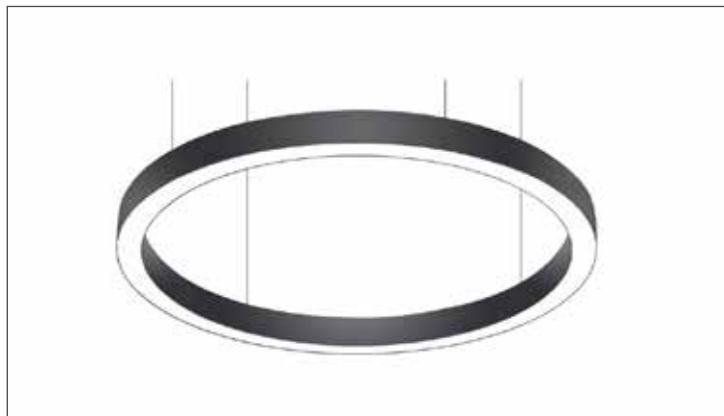


Pendulum set

## Ceiling lights

### Anello LED

- 4 diameters with different power available
- 2 light colors: warm white and neutral white
- Extremely low design, only 32mm height
- Dimmable or switchable variant
- 5 dimming interfaces in one device
- [DALI, DSI, switchDIM, corridorFUNCTION and Power Line]
- No UV radiation
- Easy construction
- Maintenance free

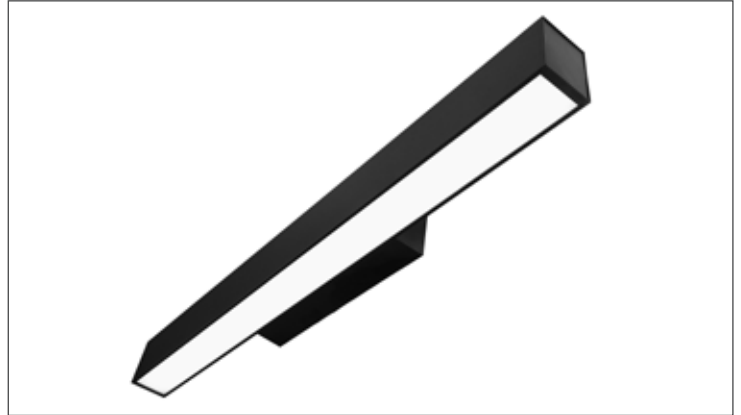


Product number	System performance typ. [W]	Light color	Beam characteristic	Equipment	Luminous flux [lm]	Diffuser	Ø/Height [mm]	EEL
	■	◆	▲				*	
9801■00◆*-▲	19/27/54	3000	30L = 30° lense 60L = 60° lense 1200 = 120° opal	white/black	1320-4800	lense [30/60] opal [120]	614/85	A [19W] A+ [27/54W]
9802■00◆*-▲	24/36/72	3000	30L = 30° lense 60L = 60° lense 1200 = 120° opal	white/black	1650-6500	lense [30/60] opal [120]	770/85	A [24W] A+ [36/72W]
9803■00◆*-▲	38/54/109	3000	30L = 30° lense 60L = 60° lense 1200 = 120° opal	white/black	2640-9800	lense [30/60] opal [120]	1178/85	A [38W] A+ [54/108W]
9804■00◆*-▲	48/72/145	3000	30L = 30° lense 60L = 60° lense 1200 = 120° opal	white/black	3300-13000	lense [30/60] opal [120]	1500/85	A [48W] A+ [72/145W]

## Ceiling lights

### Baris surface-mounted

- Unique design
- For lighting offices, conference rooms and other representative rooms
- Lamp housing made of anodized aluminum
- Wall mounting
- Cover made of PS, opal or prismatic
- IP44
- Available in 3 different colors
- Switchable or DALI - dimmable



Product number	System performance typ. [W]	Light color	Equipment	Equipment	Luminous flux [lm]	Diffuser	Mounting	Dimensions L-B-H [mm]	EEL
	■	◆	✘					*	
9810■00◆*-*	16	3000/4000	120	gray / white / black	1300-1700	opal / PRM	Anbau	579-40-53	A+

### Baris suspended

- Suspended or surface-mounted luminaire
- Unique design
- For lighting offices, conference rooms and other representative rooms
- Lamp housing made of anodized aluminum
- Suspended / suspended or surface mounting
- Cover made of PS, opal or prismatic
- IP20 [9812] or IP44 [9814]
- Available in 3 different colors
- Switchable or DALI - dimmable [46 / 50W variant]



Product number	System performance typ. [W]	Light color	Equipment	Equipment	Luminous flux [lm]	Diffuser	Mounting	Dimensions L-B-H [mm]	EEL
	■	◆	✘					*	
9816■00◆*-*	16				1300-1600			579-40-53	
9812■00◆*-*	18/33/50				1700-5900			1140-40-53	
9815■00◆*-*	39/46	3000/4000	BA = Basic DA = DALI	grau/weiss/ schwarz	3400-4800	Opal / PRM	Abgehängt	1421-40-53	A+
9818■00◆*-*	18/33/50				1700-5900			1140-40-53	
9819■00◆*-*	39/46				3400-5300			1421-40-53	



## Ceiling lights

### DLN 220 LED EVO

- Timeless design
- Surface-mounted downlight
- IP65 and impact resistance IK08
- Polycarbonate diffuser
- Housing made of powder-coated sheet steel



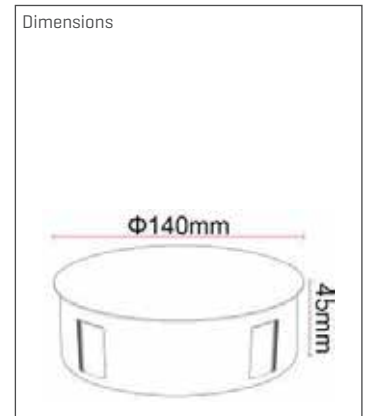
Product number	System performance typ. [W]	Light color	Beam characteristic	Equipment	Luminous flux [lm]	Diffuser	Mounting	Dimensions ø / H [mm]	EEL
	■	◆	▲					*	
9820■00◆*-▲	10/15/21/28	4000	120°	weiss	1450-3450	PRM matt/ PRM	Aufbau	220/140	A+



## Ambient lights

### STAR 4

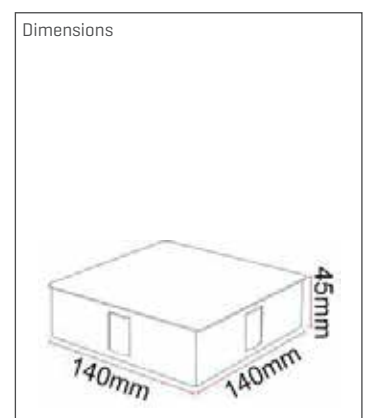
- Ambient light
- Material: aluminum alloy
- Power: 4 x 3W Cree Chip, 4-sided
- AC85-265V 50 / 60HZ
- Beam angle: 5 °
- IP44
- Lumen: 50-60 lm / W.
- Dimensions: Ø 140, 45 [H] mm
- Color temperature: WW / W / R / Y / G.
- Housing: black base + white cover
- Installation: surface-mounted



Product number	System performance typ. [W]	Light color	Beam characteristic	Luminous flux [lm]	CRI	Control
	■	◆	▲		▶	●
805534	4 x 3W Cree Chip	*WW / W / R / Y / G	5° IP44	50-60 / W	Ra>80	-

### STAQ 4

- Ambient light
- Material: aluminum alloy
- Power: 4 x 3W Cree Chip, 4-sided
- AC85-265V 50 / 60HZ
- Beam angle: 5 ° IP44
- Lumen: 50-60 lm / W.
- Dimensions: 140 x 140 x 45 [H] mm
- Color temperature: WW / W / R / Y / G.
- Housing: Black Base + White Cover
- Installation: surface-mounted



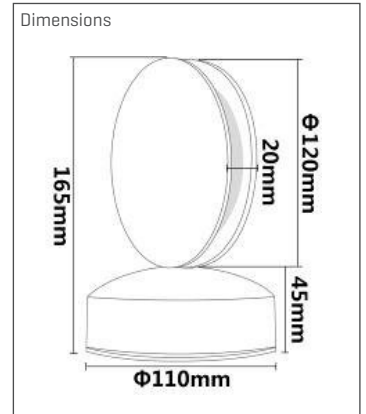
Product number	System performance typ. [W]	Light color	Beam characteristic	Luminous flux [lm]	CRI	Control
	■	◆	▲		▶	●
805535	4 x 3W Cree Chip	*WW / W / R / Y / G	5° IP44	50-60 / W	Ra>80	-

\* WW = warm white [3000K], NW = natural white [4000K], W = white [6000K], R = red, G = green, B = blue, Y = yellow.

## Ambient lights

### PEDASI

- Ambient light
- Material: aluminum alloy
- Power: 8 W COB
- AC85-265V 50 / 60HZ
- Beam angle: 270 °
- IP65
- Lumens: 30 ~ 40 lm / W Ra> 80
- Color temperature: WW / WY / R / G / B
- Housing: white
- Can be rotated 360 °



Product number	System performance typ. [W]	Light color	Beam characteristic	Luminous flux [lm]	CRI	Control
805543	8 W COB	*WW / WY / R / G / B	270°	30 ~ 40 / W Ra>80	Ra>80	-

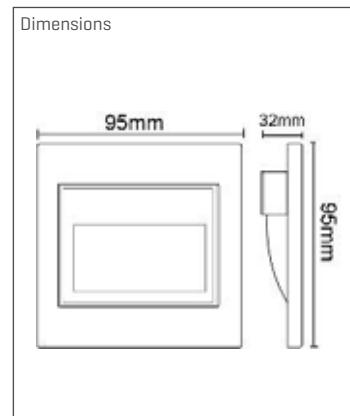


\* WW = warm white (3000K), NW = natural white (4000K), W = white (6000K), R = red, G = green, B = blue, Y = yellow.

## Stair Lights

### STEP Q / STEP Q PIR

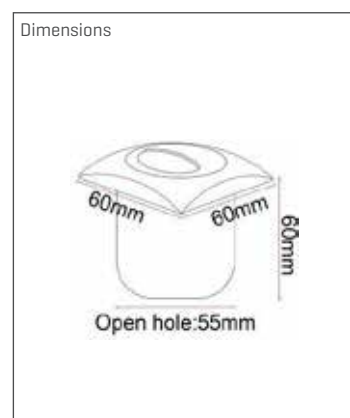
- 1.5 W LED stair light, STEP Q PIR with PIR sensor
- AC85-265V 50 / 60HZ
- Beam angle: 90 °
- IP30
- Lumens: 50 ~ 60 lm / W.
- 95 x 95 x 32 mm, installation dimensions: 86 x 86
- Color temperature: 3000K
- Case: white, silver, gold, black
- Material: anti-fire PC



Product number	System performance typ. [W]	Light color	Beam characteristic	Luminous flux [lm]	CRI	Control
805526-white	1,5	3000K	90° IP30	50 ~ 60 / W	Ra>80	●
805573-black	1,5	3000K	90° IP30	50 ~ 60 / W		●
805585-silver	1,5	3000K	90° IP30	50 ~ 60 / W		●
805586-gold	1,5	3000K	90° IP30	50 ~ 60 / W		●
805527-white	1,5 with PIR sensor	3000K	90° IP30	50 ~ 60 / W		-
805579-black	1,5 with PIR sensor	3000K	90° IP30	50 ~ 60 / W		-
805587-silver	1,5 with PIR sensor	3000K	90° IP30	50 ~ 60 / W		-
805588-gold	1,5 with PIR sensor	3000K	90° IP30	50 ~ 60 / W		-

### STEP RL / STEP SL

- 3W COB LED stair light
- AC85-265V 50 / 60HZ
- Beam angle: 90 °
- IP30
- Lumens: 70 ~ 80 lm / W.
- ø60 / H 56mm, installation dimensions: ø55
- Color temperature: 3000K
- Housing: white
- Material: aluminum alloy + PMMA

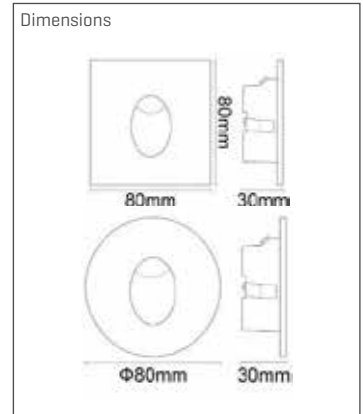


Product number	System performance typ. [W]	Light color	Beam characteristic	Luminous flux [lm]	CRI	Control
805528-round	3W COB IP30	3000K	90°	70 ~ 80 / W	Ra>80	●
805529-square	3W COB IP30	3000K	90°	70 ~ 80 / W		-

## Stair Lights

### STEP 2 RL / STEP 2 SL

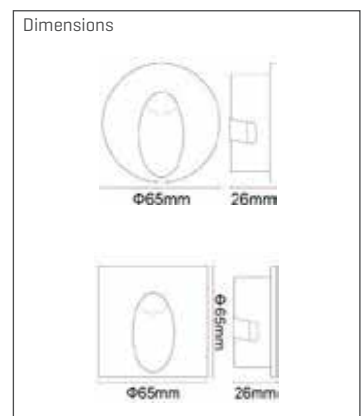
- 1.5 W HP LED stair light
- AC85-265 V 50/60 Hz
- Beam angle: 90 °
- IP30
- Lumens: 70 ~ 80 IM / W.
- 80 x 80 x 30 mm, installation dimensions: 65 x 65 mm
- Color temperature: 3000K
- Housing: white, black, gray
- Material: aluminum alloy



Product number	System performance typ. [W]	Light color	Beam characteristic	Luminous flux [lm]	CRI	Control
805530-round white	1,5 W HP IP30	3000K	90°	70 ~ 80 / W	Ra>80	-
805574-round black	1,5 W HP IP30	3000K	90°	70 ~ 80 / W		
805531-square white	1,5 W HP IP30	3000K	90°	70 ~ 80 / W		
805575-square black	1,5 W HP IP30	3000K	90°	70 ~ 80 / W		

### STEP 3 RL / STEP 3 SL

- 1.5 W HP IP30 LED stair light
- AC85-265 V 50/60 Hz
- Beam angle: 90 °
- Lumens: 70 ~ 80 IM / W.
- ø65 / H 26mm, installation dimensions: ø45
- Color temperature: 3000K
- Case: silver
- Material: aluminum alloy

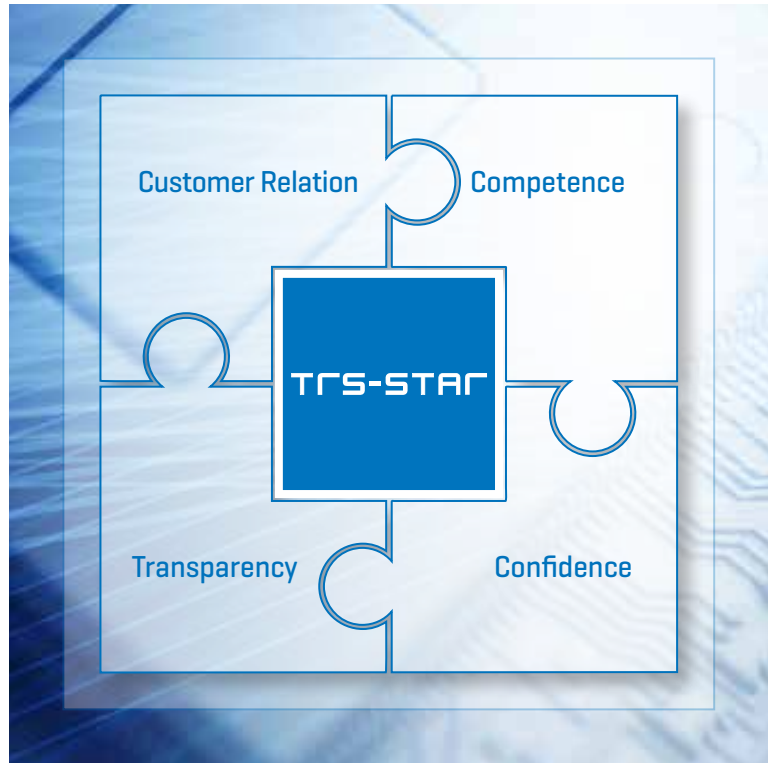


Product number	System performance typ. [W]	Light color	Beam characteristic	Luminous flux [lm]	CRI	Control
805532-rund	1,5 W HP IP30	3.000K	90°	70 ~ 80 / W	Ra>80	-
805533-square	1,5 W HP IP30	3.000K	90°	70 ~ 80 / W		

**TRS-STAR**

**electronics4U**

[www.trs-star.com](http://www.trs-star.com)



## TRS-STAR GmbH

### Headquarters | Sales · Marketing

Werner-von-Siemens-Str. 1  
76297 Stutensee  
T +49 7249 95222-115  
[licht@trs-star.com](mailto:licht@trs-star.com)

### Sales · Project Engineering

Schraderstraße 44  
67227 Frankenthal  
T +49 6233 347-125  
[licht@trs-star.com](mailto:licht@trs-star.com)

### Lighting · Sales Europe

**Germany**  
Frank Werz  
Development, Planning  
and Technical Sales  
T +49 6233 347-125  
[werz@trs-star.com](mailto:werz@trs-star.com)

**France**  
Christine Commelin  
14 allée de la Vaudonnière  
91370 Verrières le Buisson  
T +33 614 932518  
[commelin@trs-star.com](mailto:commelin@trs-star.com)

**Romania**  
Alexandru Balanescu  
bd Ion Mihalache 319, bl 21, ap  
15 011184 Bucharest 1  
T +40 72 3569406  
[balanescu@trs-star.com](mailto:balanescu@trs-star.com)