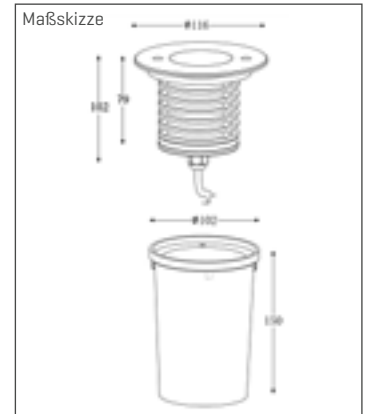


axior | Recessed floor lights

axior 6999 S

- In-ground spotlights
- Housing made of powder-coated die-cast aluminum with stainless steel frame
- Installation housing made of PVC plastic
- Temperature-resistant safety glass
- High-power LED with symmetrical distribution
- Protection class IP 67
- Supplied with a 0.5 m connection cable
- Dimensions lamp H = 102 ø = 116 [mm]
- Dimensions mounting frame H = 150 ø = 102 [mm]



Designation	Lens [●]	Light Color [◆◆]	System performance [W]	System performance typ. [■ ■ W]	LED assembly	System luminous flux [lm]
69990300◆◆BA-●	SY10/SY20	30	3,1	03,01	3 HP LED	280

- » [LVK: Residential streets, parking lots \[Lenses: A, B, C, D, F, S, V, X\]](#)
- » [LVK: Cable span lights \[Lenses: N, O, U\], Major roads \[Lenses: M, E, Y\], Pedestrian crossings \[Lens: R\]](#)
- » [LVK: Planar radiator / Industrial Lights \[Lenses: F, I, P, 1550, T, SY10, SY20, SY60, SY120\]](#)

Article number assignments | Explanation

Example: 1202■ ■ 00◆◆ME-●16

- 1202 Model number
- ■ System performance typ. e.g. 07 / 13 / 19
- ◆◆ Light color 27=2700K, 30=3000K, 40=4000K, AM=Amber
- BA / ME BA=Basic / ME=Medium
- Lens
- AY HighPower LED
- 16 MidPower LED

E.g. 1202190030ME-S16

Model 1202, 19 Watt, 3000K, Medium, MidPower LED with S-Lens

TRS-STAR GmbH

Werner-von-Siemens-Str. 1
76297 Stutensee

Planning and technical sales
Dipl. Ing. Frank Werz
T +49 6233 347-125
werz@trs-star.com