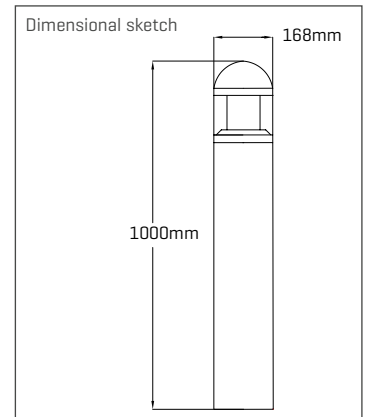


axior | Bollard lights

axior 6103

- Bollard lights in an elegant, round and timeless classic design
- Housing made of powder-coated aluminum
- Luminaire glass made of UV-resistant PMMA
- Floor flange with cable entry
- satined inner cylinder
- Optional hot-dip galvanized earth section
- Housing color RAL9005, others on request
- Dimension H = 1000 | $\varnothing = 168$ [mm]



Designation	Lens [●]	Light Color [◆◆]	System performance [W]	System performance typ. [■■W]	LED assembly	System luminous flux [lm]
61031200◆◆BA-SY	ohne	30/40	12	12	144 SMD LED	1031
61031700◆◆BA-SY	ohne	30/40	17	17	144 SMD LED	1499
61032500◆◆BA-SY	ohne	30/40	25	25	144 SMD LED	2250

» [LVK: Residential streets, parking lots \[Lenses: A, B, C, D, F, S, V, X\]](#)

» [LVK: Cable span lights \[Lenses: N, O, U\], Major roads \[Lenses: M, E, Y\], Pedestrian crossings \[Lens: R\]](#)

» [LVK: Planar radiator / Industrial Lights \[Lenses: F, I, P, 1550, T, SY10, SY20, SY60, SY120\]](#)

Article number assignments | Explanation

Example: 1202■●00◆◆ME-●16

- 1202 Model number
- System performance typ. e.g. 07 / 13 / 19
- ◆◆ Light color 27=2700K, 30=3000K, 40=4000K, AM=Amber
- BA / ME BA=Basic / ME=Medium
- Lens
- AY HighPower LED
- 16 MidPower LED

E.g. 1202190030ME-S16

Model 1202, 19 Watt, 3000K, Medium, MidPower LED with S-Lens

TRS-STAR GmbH

Werner-von-Siemens-Str. 1
76297 Stutensee

Planning and technical sales
Dipl. Ing. Frank Werz
T +49 6233 347-125
werz@trs-star.com