



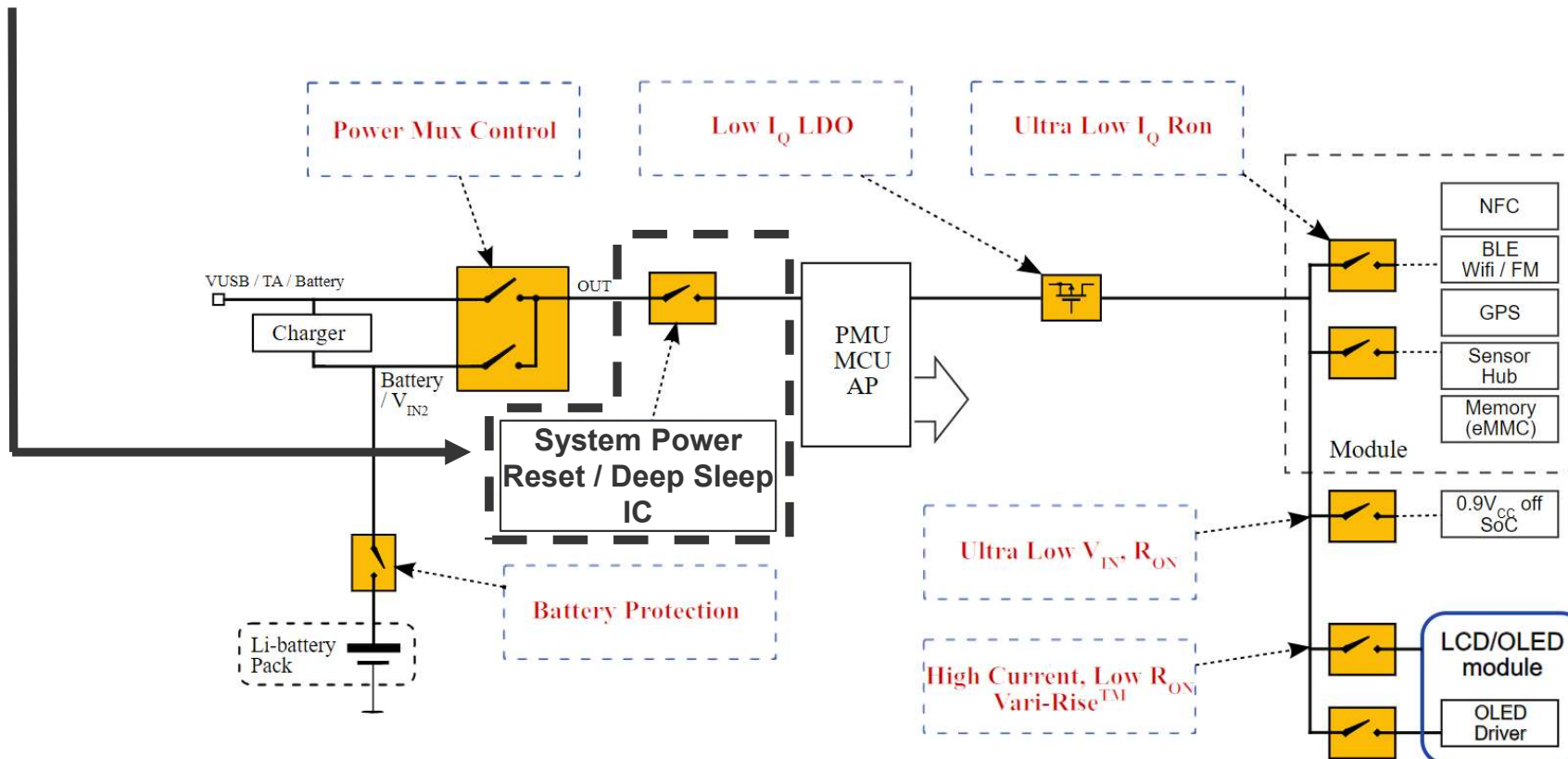
TFS-STAR

Distribution | Systemlösungen | Engineering

electronics4U



System Power Reset IC & System Power Deep Sleep IC





System Power Reset IC & System Power Deep Sleep IC

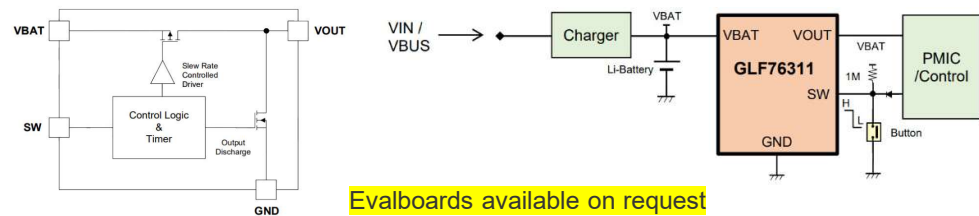
Nano-current Power Reset Device Protection

- True Power Reset Function w. integrated reset timer
- Ultra-Low leakage current
- Ultra-Low RDS(on)

Product Type	Product Name	V _{IN} Min. Voltage [V]	V _{IN} Max. Voltage [V]	I _{OUT} Rating [A]	R _{ON} Typ. @ 3.6 V [mΩ]	I _Q Typ. @ 3.6 V [nA]	I _{SD} Typ. @ 3.6 V [nA]	Output Discharge [Ω]	Rise Time t _r Typ [ms]	On Delay Time by /SRO, t _{VON} [s]	On Delay Time by WAKE, t _{QON} [ms]	Off Delay Time, t _{Sly-Dly} [s]	Reset Duration, t _{Reset} [ms]	Operating Temperature [°C]	Package Type
Power Reset	GLF76121	2.5	5.5	2	34	3	7	85	1	1.5	0.9	6	750	- 40 ~ 85	CSP 0.97 x 1.47 x 0.55
	GLF76121S			2	34	3	7	85	1	1.5	0.9	3.0	360		
	GLF76121L			2	34	3	7	85	1	1.5	0.9	12	750		
	GLF76431	1.8	5.5	6	19	0.42 uA	0.36 uA	90	1	0.8 ms	0.8	7.5	470		CSP 1.27 x 1.67 x 0.55

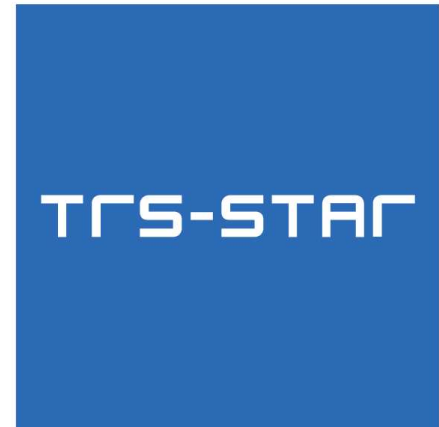
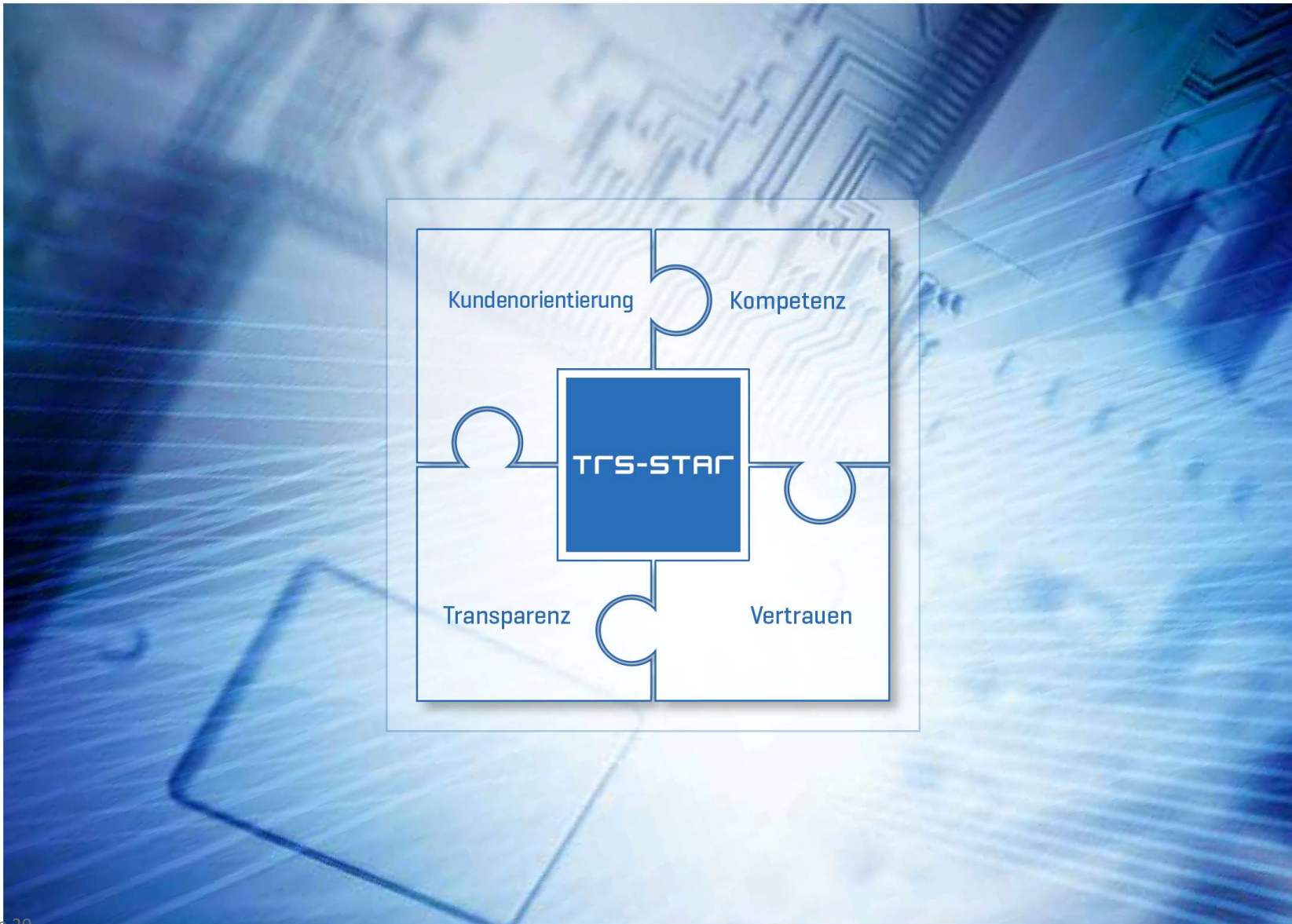
Nano-current Power On/Off Control IC

- Integrated on/off delay timer
- Ultra-Low I_{SD}
- Ultra-Low I_Q
- Integrated slew rate control



Evalboards available on request

Product Type	Product Name	V _{IN} Min. Voltage [V]	V _{IN} Max. Voltage [V]	I _{OUT} Rating [A]	R _{ON} Typ. @ 3.6 V [mΩ]	I _Q Typ. @ 3.6 V [nA]	I _{SD} Typ. @ 3.6 V [nA]	Output Discharge [Ω]	Slew Rate Control	Rise Time t _r Typ [ms]	On Delay Time by /SRO, t _{VON} [s]	On Delay Time by WAKE, t _{QON} [ms]	Off Delay Time, t _{Sly-Dly} [s]	Operating Temperature [°C]	Package Type
Power Deep Sleep	GLF76311	2.5	5.5	2	34	6	7	85	✓	1	3	NA	6	- 40 ~ 85	CSP 0.97 x 0.97 x 0.55
	GLF76321 / T	1.5		2	31	3	7	85	✓	1	1.3	0.8	7		CSP 0.97 x 1.47 x 0.55/
	GLF76521 / T	1.8		2	31	3	7	85	✓	1	0.3	0.8	1.8		0.35



electronics4U

www.trs-star.com

Hauptsitz Stutensee

Werner-von-Siemens-Str. 1
D-76297 Stutensee
T +49 7249 95222-0
Info@trs-star.com

Niederlassung Frankenthal

Schraderstraße 44
D-67227 Frankenthal
T +49 6233 347-0
Info@trs-star.com