



TFS-STAR

Distribution | Systemlösungen | Engineering

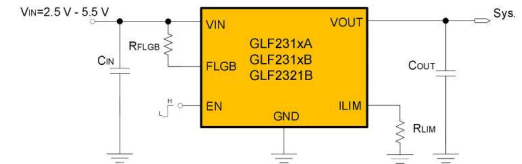
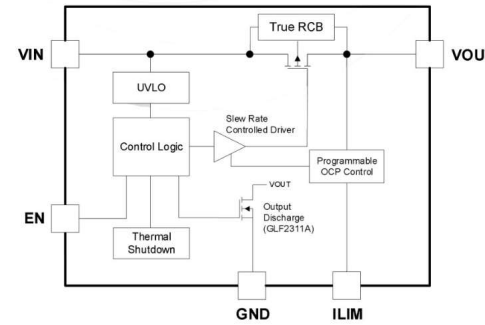
electronics4U



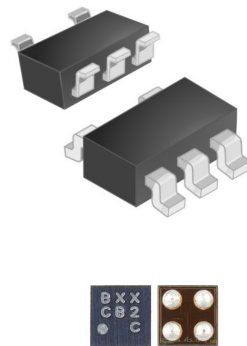
Current Limit Power Switch

High Precision Current Limit Power Switch for USB Power Supply

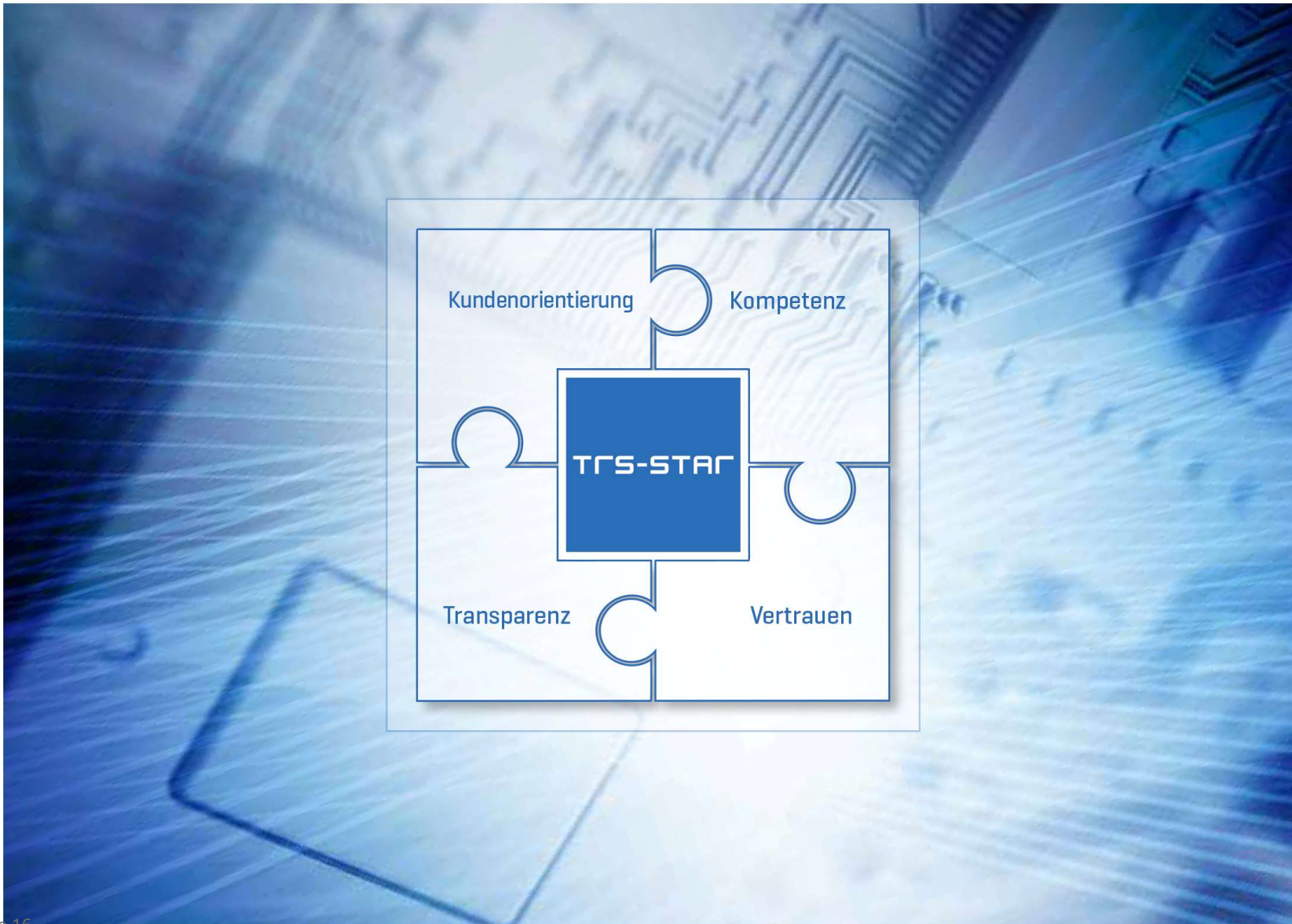
- Programmable Input Current limit (depending on type)
- Output Slew Rate Controlled
- Under Voltage Lockout Protection
- Output Slew Rate controlled
- Short Circuit Protection
- Fault Flag indication / Fault Event Detection
- Thermal Shutdown Protection



Product Type	Product Name	V _{IN} Max. Voltage [V]	I _{OUT} Rating [A]	R _{ON} Typ. @ V _{IN} Max [mΩ]	I _Q Typ. @ V _{IN} Max [μA]	I _{SD} Typ. @ V _{IN} Max [nA]	I _{LM} Current Limit [A]	Short Circuit Protection I _{SC} [A]	Reverse Current Blocking	EN Active	Output Discharge [Ω]	Thermal Shutdown [°C]	ESD [kV]	Operating Temperature [°C]	Package Type					
Current Limit	GLF2310A-T1G7	5.5	2.6	56	20	50	40 mA ~2.2 A	6.6	✓	H	NA	140	HBM : 8 CDM : 2	- 40 ~ 85	SOT23-5L					
	GLF2311A-T1G7										300				SOT23-5L					
	GLF2310A-T2G7										NA				SOT23-6L					
	GLF2311A-T2G7										300				SOT23-6L					
	GLF2311B-T1G7										300				SOT23-5L					
	GLF2313B-T1G7										300				SOT23-5L					
	GLF2321B-T1G7										1.8				Fixed 1.5 A	5.3	SOT23-5L			
	GLF2331B-T1G7										2.6				53	18	35	Fixed 1.3 A	✓	SOT23-5L
	GLF2351B-T1G7										2.8				40	17	60	Fixed 2.55 A	4.6	SOT23-5L
	GLF2351A-S3G7										3				32	19	63	40 mA~2.8 A	✓	H



Evalboards available on request



electronics4U

www.trs-star.com

Hauptsitz Stutensee

Werner-von-Siemens-Str. 1
D-76297 Stutensee
T +49 7249 95222-0
Info@trs-star.com

Niederlassung Frankenthal

Schraderstraße 44
D-67227 Frankenthal
T +49 6233 347-0
Info@trs-star.com