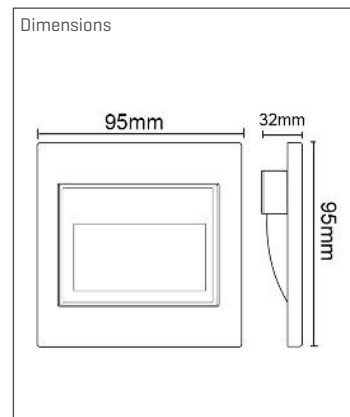


STEP | Stair Lights

STEP Q / STEP Q PIR

- 1.5 W LED stair light, STEP Q PIR with PIR sensor
- AC85-265V 50 / 60HZ
- Beam angle: 90 °
- IP30
- Lumens: 50 ~ 60 lm / W.
- 95 x 95 x 32 mm, installation dimensions: 86 x 86
- Color temperature: 3000K
- Case: white, silver, gold, black
- Material: anti-fire PC



Product number	System performance typ. [W]	Light color	Beam characteristic	Luminous flux [lm]	CRI	Control
805526-white	1,5	3000K	90° IP30	50 ~ 60 / W		
805573-black	1,5	3000K	90° IP30	50 ~ 60 / W		
805585-silver	1,5	3000K	90° IP30	50 ~ 60 / W		
805586-gold	1,5	3000K	90° IP30	50 ~ 60 / W		
805527-white	1,5 with PIR sensor	3000K	90° IP30	50 ~ 60 / W	Ra>80	-
805579-black	1,5 with PIR sensor	3000K	90° IP30	50 ~ 60 / W		
805587-silver	1,5 with PIR sensor	3000K	90° IP30	50 ~ 60 / W		
805588-gold	1,5 with PIR sensor	3000K	90° IP30	50 ~ 60 / W		

Article Number | Explanation

Example: HL-■S-HT●-02◆▲C▶

- HL Series
- System performance typ. [W]
- ◆ Light color
- ▲ Beam characteristic
- Control
- ▶ CRI
- * Dimensions [mm]
- x Equipment

For example: HL

HL Series, D=dimmmable, 80/100 Watt, 5000K, A2=120°, 60=60°, TA=60°x90°, 8=CRI>80

TRS-STAR GmbH

Werner-von-Siemens-Str. 1
76297 Stutensee

Development, Planning
and Technical Sales
Dipl. Ing. Frank Werz
T +49 6233 347-125
werz@trs-star.com