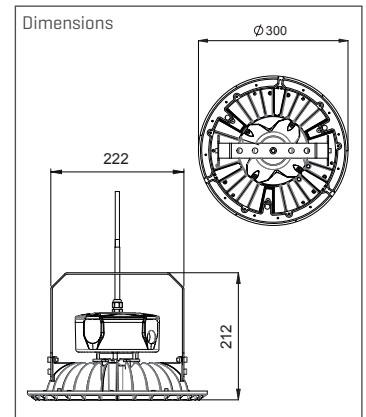




HBLA | Area Light

HBLA-150W

- Solid die-cast aluminum housing
- Eye-bolts mounting, easy to install
- Perfect resistant coating
- Precision optical distribution
- System efficacy up to 167 lm/W [Ra > 80]
- Dimmable 1-10V optional
- DLC Premium listed



Product number	System performance typ. [W]	Light color	Beam characteristic	Luminous flux [lm]	CRI	Control
HBL-■S-HT-T6◆▲C▷	80 / 100	WD=5000K WN=4000K	A2=120° / 60=60°	11700-14600	8=CRI>80	without

Article Number | Explanation

Example: HL-■S-HT●-02◆▲C▷

- HL Series
- System performance typ. [W]
- ◆ Light color
- ▲ Beam characteristic
- Control
- ▷ CRI
- * Dimensions [mm]
- × Equipment

For example: HL

HL Series, D=dimmmable, 80/100 Watt, 5000K, A2=120°, 60=60°, TA=60°x90°, 8=CRI>80

TRS-STAR GmbH

Werner-von-Siemens-Str. 1
76297 Stutensee

Development, Planning
and Technical Sales
Dipl. Ing. Frank Werz
T +49 6233 347-125
werz@trs-star.com