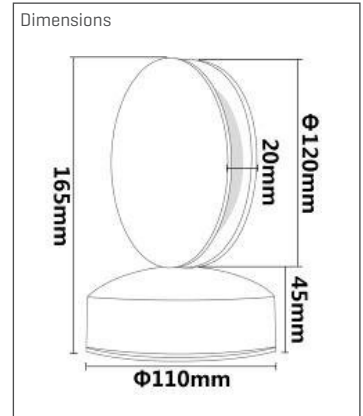


PEDASI | Ambient Lights

PEDASI

- Ambient light
- Material: aluminum alloy
- Power: 8 W COB
- AC85-265V 50 / 60HZ
- Beam angle: 270 °
- IP65
- Lumens: 30 ~ 40 lm / W Ra> 80
- Color temperature: WW / WY / R / G / B
- Housing: white
- Can be rotated 360 °



Product number	System performance typ. [W]	Light color	Beam characteristic	Luminous flux [lm]	CRI	Control
805543	8 W COB	*WW / WY / R / G / B	270°	30 ~ 40 / W Ra>80	Ra>80	-



* WW = warm white (3000K), NW = natural white (4000K), W = white (6000K), R = red, G = green, B = blue, Y = yellow.

Article Number | Explanation

Example: HL-■S-HT●-02◆▲C▷

- HL Series
- System performance typ. [W]
- ◆ Light color
- ▲ Beam characteristic
- Control
- ▷ CRI
- * Dimensions [mm]
- × Equipment

For example: HL

HL Series, D=dimnable, 80/100 Watt, 5000K, A2=120°, 60=60°, TA=60°x90°, 8=CRI>80

* WW=Warmweiß (3000K), NW=Naturweiß (4000K), W=Weiß (6000K), R=Rot, G=Grün, B=Blau, Y=Gelb.

TRS-STAR GmbH

Werner-von-Siemens-Str. 1
76297 Stutensee

Development, Planning
and Technical Sales
Dipl. Ing. Frank Werz
T +49 6233 347-125
werz@trs-star.com