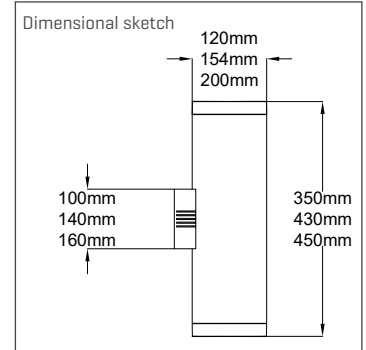


axior | Wall and ceiling outdoor lights

axior 6407

- Wall lamp
- Light emission above and below
- rotationally symmetrical light distribution
- stable aluminum housing powder-coated
- Luminaire glass made of ESG glass
- Wall mounting flange
- Housing color RAL9005, others on request
- Dimension 25Watt variant: H = 350 | \varnothing = 120 [mm]
- Dimension 35Watt variant: H = 430 | \varnothing = 154 [mm]
- Dimensions 48Watt variant: H = 450 | \varnothing = 200 [mm]



Designation	Lens [●]	Light Color [◆◆]	System performance [W]	System performance typ. [■■W]	LED assembly	System luminous flux [lm]
64072000◆◆BA-SY●	12°/25°	30/40	25	25	COB	2375lm
64073000◆◆BA-SY●	12°/25°	30/40	35	35	COB	3325lm
64074000◆◆BA-SY●	12°/25°	30/40	48	48	COB	4560lm

- » [LVK: Residential streets, parking lots \[Lenses: A, B, C, D, F, S, V, X\]](#)
- » [LVK: Cable span lights \[Lenses: N, O, U\], Major roads \[Lenses: M, E, Y\], Pedestrian crossings \[Lens: R\]](#)
- » [LVK: Planar radiator / Industrial Lights \[Lenses: F, I, P, 1550, T, SY10, SY20, SY60, SY120\]](#)

Article number assignments | Explanation

Example: 1202■●00◆◆ME-●16

- 1202 Model number
- System performance typ. e.g. 07 / 13 / 19
- ◆◆ Light color 27=2700K, 30=3000K, 40=4000K, AM=Amber
- BA / ME BA=Basic / ME=Medium
- Lens
- AY HighPower LED
- 16 MidPower LED

E.g. 1202190030ME-S16

Model 1202, 19 Watt, 3000K, Medium, MidPower LED with S-Lens

TRS-STAR GmbH

Werner-von-Siemens-Str. 1
76297 Stutensee

Planning and technical sales
Dipl. Ing. Frank Werz
T +49 6233 347-125
werz@trs-star.com